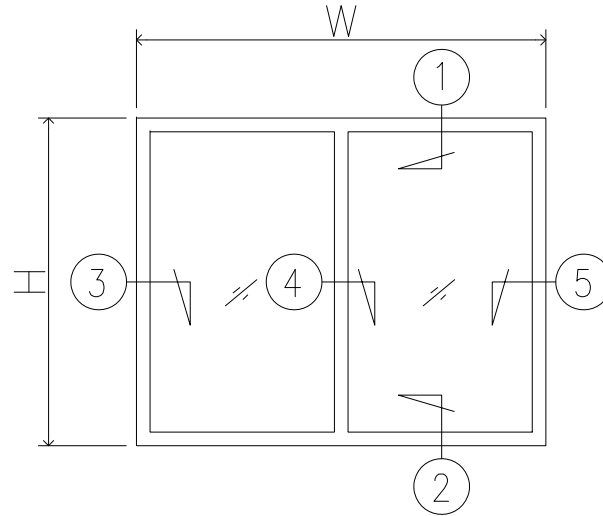
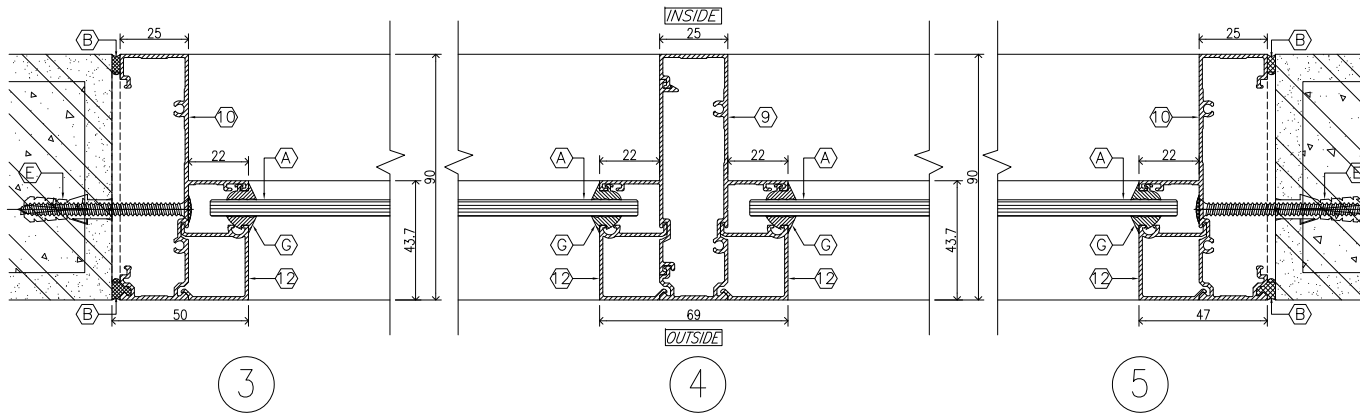
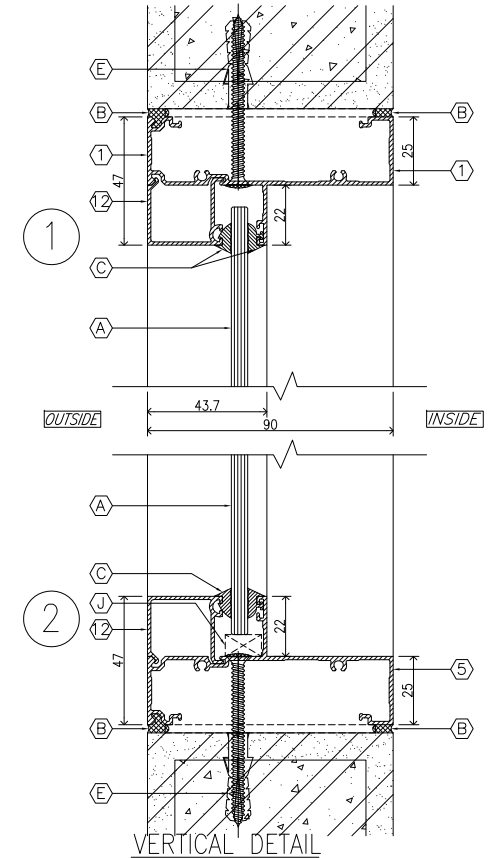


SYMBOL	AUMINIUM EXTRUDED SECTION ALLOY 6063-T5
①	HEAD SECTION
②	TRANSOM SECTION
③	TOPRAIL SECTION
④	BOTTOMRAIL SECTION
⑤	SILL SECTION
⑥	LOCKER STILE SECTION
⑦	INTER LOCKER STILE SECTION
⑧	STILE SECTION
⑨	MULLION SECTION
⑩	JAMB SECTION
⑪	SASH SECTION
⑫	BEAD SECTION

SYMBOL	ACCESSORIES DOOR & WINDOW
(A)	GLASS PANELS
(B)	SILICONE SEALANT
(C)	GLAZING GASKET
(D)	BUBBLE GASKET
(E)	SCREW & NYLON PLUG
(F)	WOOL PILE
(G)	ROLLER SLIDING
(H)	HANDLE LOCK
(I)	CAM LOCK
(J)	SETTING BLOCK



TYPICAL FIXED WINDOW ELEVATION

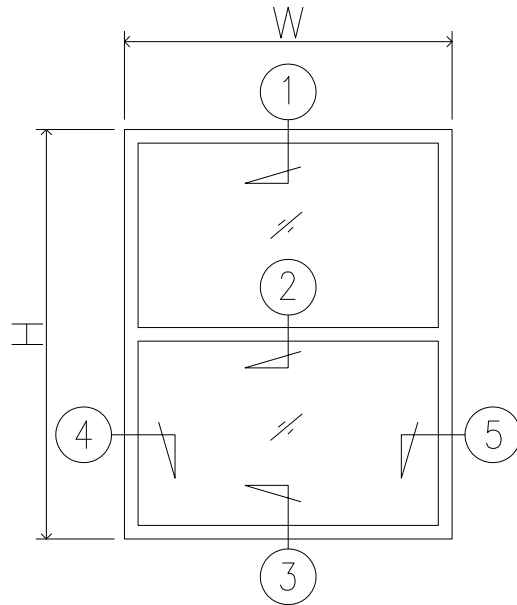


HORIZONTAL DETAIL

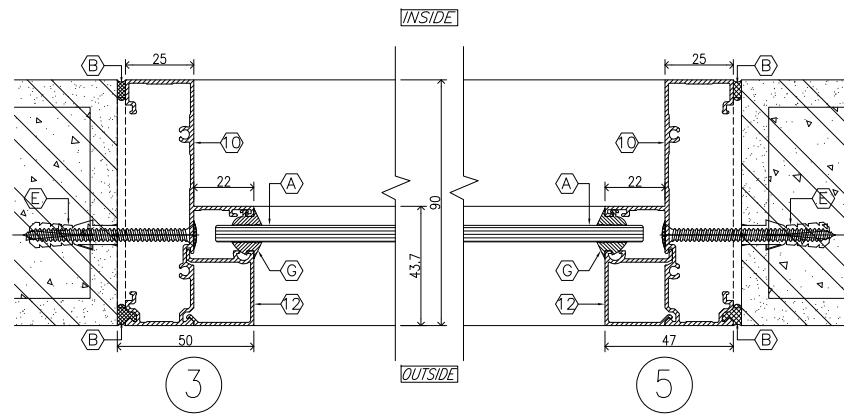
PROJECT : STANDARD PROJECT	OWNER :	ALUMINIUM CONTRACTOR : ORM ORM COLTD. <small>288 Hooz 7, Bangsar Bangkong Chertal 2080 Tel: 03-9532341 Fax: 03-9532350 www.orm2551@telcel.com</small>	DRAWING TITLE DOOR & WINDOW TYPICAL STANDARD DETAIL	REVISION			DATE :	APPROVED BY
				NO.	DATE	DESCRIPTION	APPROVED	DESIGN & DWN : MANIT SRISANGSUNG TEL: 4193
LOCATION :	LOCATION :						SCALE : 1 : 2 (A3)	FC-01

SYMBOL	AUMINIUM EXTRUDED SECTION ALLOY 6063-T5
①	HEAD SECTION
②	TRANSOM SECTION
③	TOPRAIL SECTION
④	BOTTOMRAIL SECTION
⑤	SILL SECTION
⑥	LOCKER STILE SECTION
⑦	INTER LOCKER STILE SECTION
⑧	STILE SECTION
⑨	MULLION SECTION
⑩	JAMB SECTION
⑪	SASH SECTION
⑫	BEAD SECTION

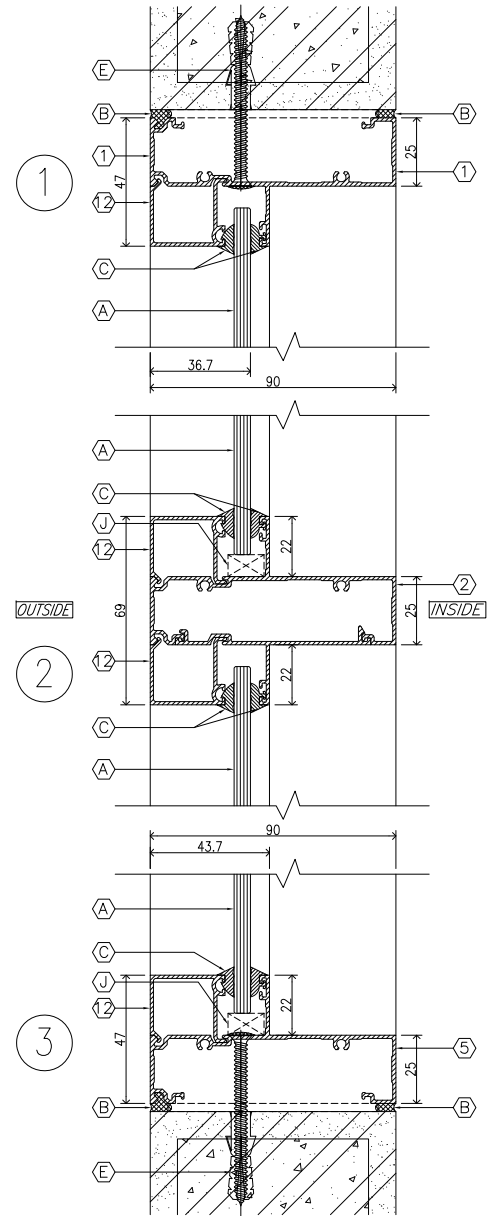
SYMBOL	ACCESSORIES DOOR & WINDOW
(A)	GLASS PANELS
(B)	SILICONE SEALANT
(C)	GLAZING GASKET
(D)	BUBBLE GASKET
(E)	SCREW & NYLON PLUG
(F)	WOOL PILE
(G)	ROLLER SLIDING
(H)	HANDLE LOCK
(I)	CAM LOCK
(J)	SETTING BLOCK



TYPICAL FIXED WINDOW ELEVATION



HORIZONTAL DETAIL

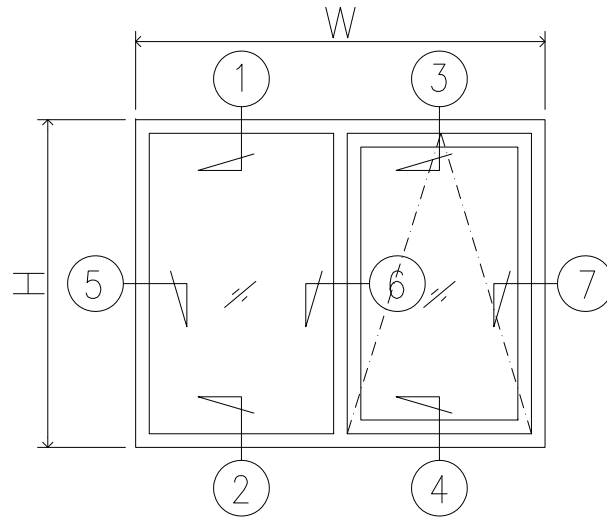


VERTICAL DETAIL

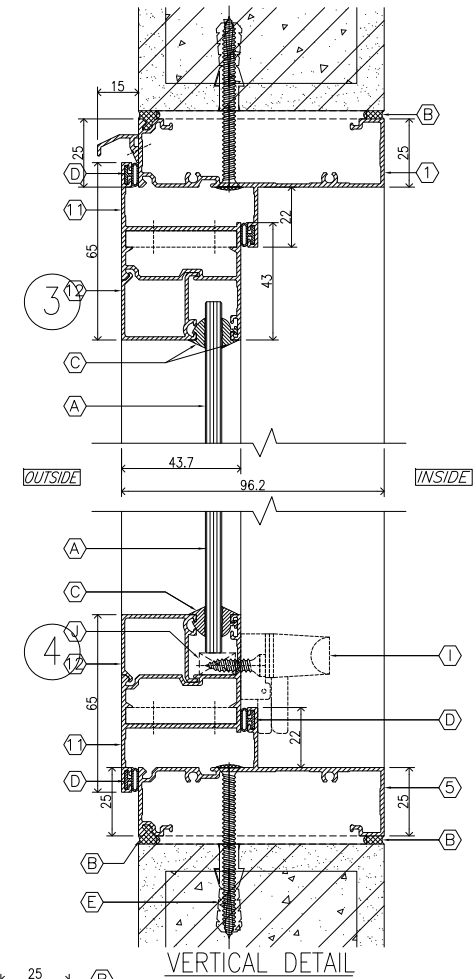
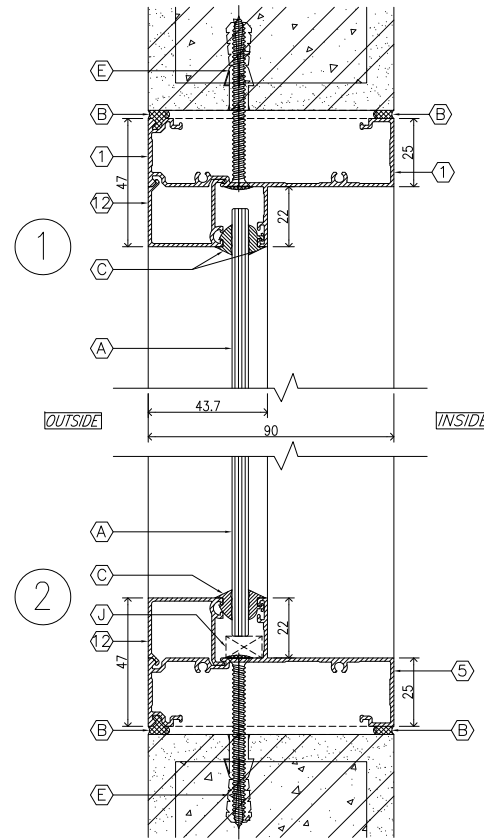
PROJECT : STANDARD PROJECT	OWNER :	ALUMINIUM CONTRACTOR : ORM ORM CO., LTD. <small>288 Hoozi, Ranggras Karanganyar District 20100 Tel. (027) 953234 Fax. (027) 953235 www.orm2550@indosat.net</small>	DRAWING TITLE DOOR & WINDOW TYPICAL STANDARD DETAIL	REVISION			DATE :	APPROVED BY
				NO.	DATE	DESCRIPTION	APPROVED	
LOCATION :	LOCATION :						CHKD. BY :	DRAWING NO.
							SCALE : 1 : 2 (A3)	FC-02

ALUMINIUM EXTRUDED SECTION ALLOY 6063-T5	
①	HEAD SECTION
②	TRANSOM SECTION
③	TOPRAIL SECTION
④	BOTTOMRAIL SECTION
⑤	SILL SECTION
⑥	LOCKER STILE SECTION
⑦	INTER LOCKER STILE SECTION
⑧	STILE SECTION
⑨	MULLION SECTION
⑩	JAMB SECTION
⑪	SASH SECTION
⑫	BEAD SECTION

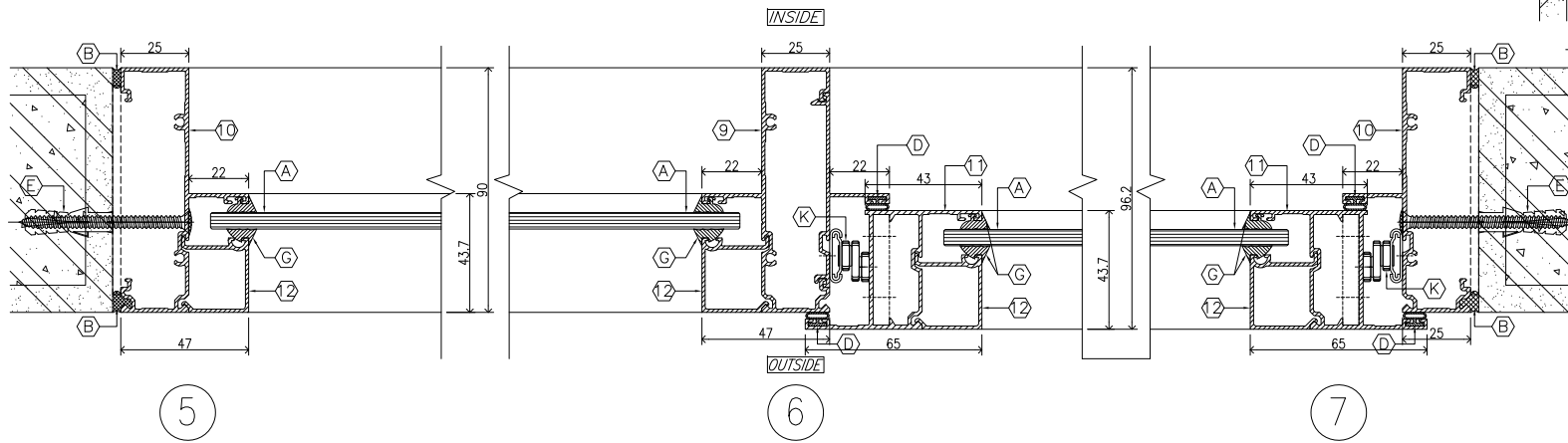
ACCESSORIES DOOR & WINDOW	
(A)	GLASS PANELS
(B)	SILICONE SEALANT
(C)	GLAZING GASKET
(D)	BUBBLE GASKET
(E)	SCREW & NYLON PLUG
(F)	WOOL PILE
(G)	ROLLER SLIDING
(H)	HANDLE LOCK
(I)	CAM LOCK
(J)	SETTING BLOCK



TYPICAL FIXED & CASEMENT WINDOW ELEVATION

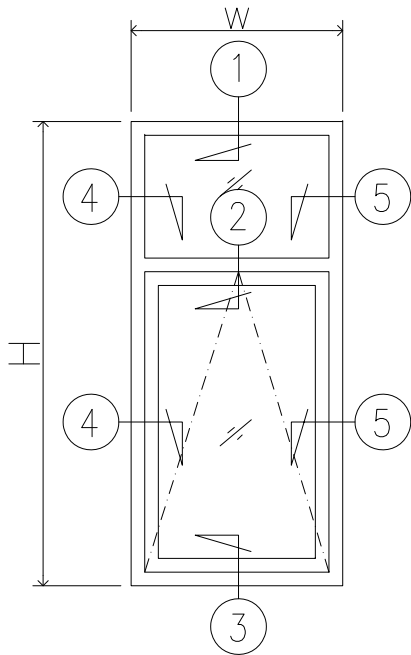


VERTICAL DETAIL

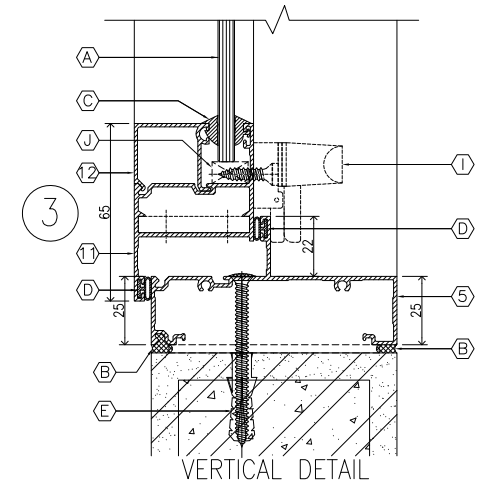
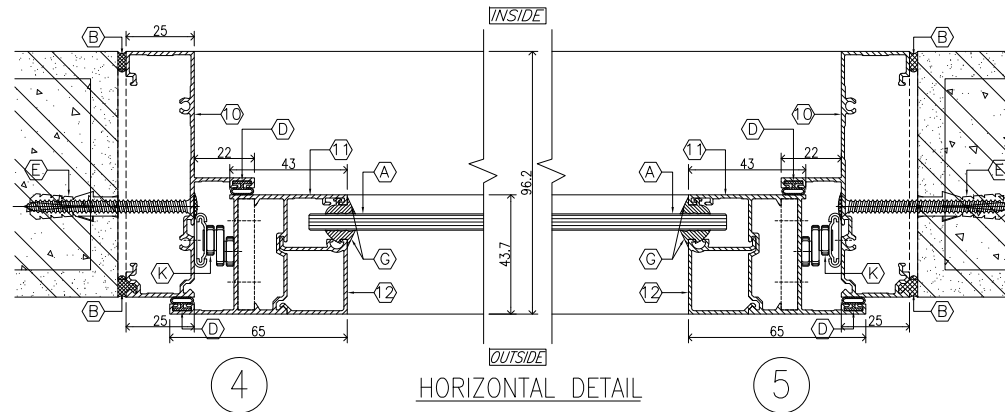
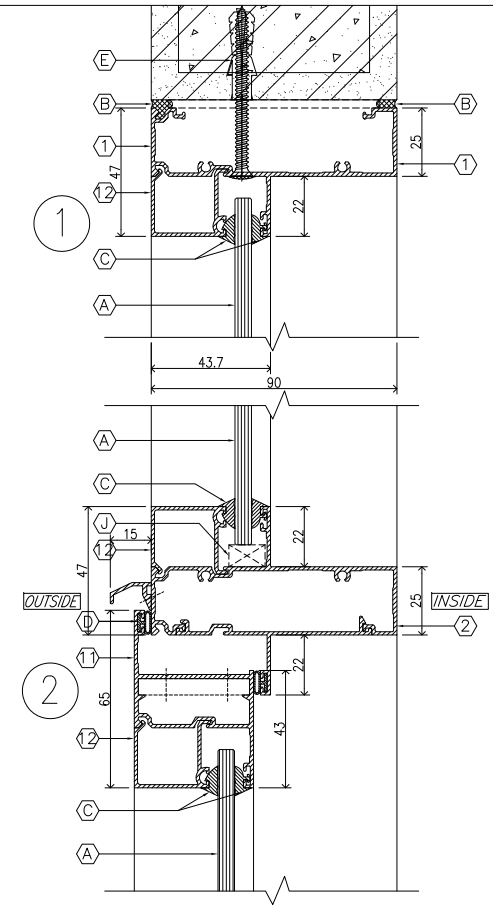
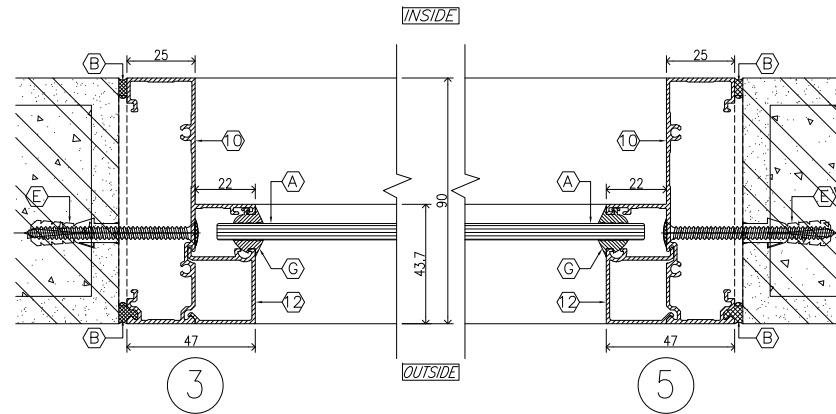


HORIZONTAL DETAIL

PROJECT : STANDARD PROJECT	OWNER :	ALUMINIUM CONTRACTOR : <small>ORM COLTD. 288 Havelock Road, Singapore 060001 Tel: (65) 9453344 Fax: (65) 9452266 www.orm.com.sg</small>	DRAWING TITLE DOOR & WINDOW TYPICAL STANDARD DETAIL	<table border="1"> <thead> <tr> <th colspan="4">REVISION</th> </tr> <tr> <th>NO.</th> <th>DATE</th> <th>DESCRIPTION</th> <th>APPROVED</th> </tr> </thead> <tbody> <tr><td> </td><td> </td><td> </td><td> </td></tr> <tr><td> </td><td> </td><td> </td><td> </td></tr> <tr><td> </td><td> </td><td> </td><td> </td></tr> </tbody> </table>	REVISION				NO.	DATE	DESCRIPTION	APPROVED													DATE : DESIGN & DWN : MANIT SRISANGSUNG CHKD. BY : SCALE : 1 : 2 (A3)	APPROVED BY DRAWING NO. FC-03
REVISION																										
NO.	DATE	DESCRIPTION	APPROVED																							
LOCATION :	LOCATION :																									



TYPICAL FIXED & CASEMENT WINDOW ELEVATION



HORIZONTAL DETAIL

VERTICAL DETAIL

SYMBOL	ALUMINIUM EXTRUDED SECTION ALLOY 6063-T5
①	HEAD SECTION
②	TRANSOM SECTION
③	TOPRAIL SECTION
④	BOTTOMRAIL SECTION
⑤	SILL SECTION
⑥	LOCKER STILE SECTION
⑦	INTER LOCKER STILE SECTION
⑧	STILE SECTION
⑨	MULLION SECTION
⑩	JAMB SECTION
⑪	SASH SECTION
⑫	BEAD SECTION

SYMBOL	ACCESSORIES DOOR & WINDOW
(A)	GLASS PANELS
(B)	SILICONE SEALANT
(C)	GLAZING GASKET
(D)	BUBBLE GASKET
(E)	SCREW & NYLON PLUG
(F)	WOOL PILE
(G)	ROLLER SLIDING
(H)	HANDLE LOCK
(I)	CAM LOCK
(J)	SETTING BLOCK

PROJECT :
STANDARD PROJECT

OWNER :
LOCATION :

ALUMINIUM CONTRACTOR :
ORM
ORM COLTD.
288 Hooz 7, Bangsar Bangkong Chertani 2080
Tel: 03-953234 Fax: 03-953235
www.orm2550@hotmail.com

DRAWING TITLE
**DOOR & WINDOW
TYPICAL STANDARD DETAIL**

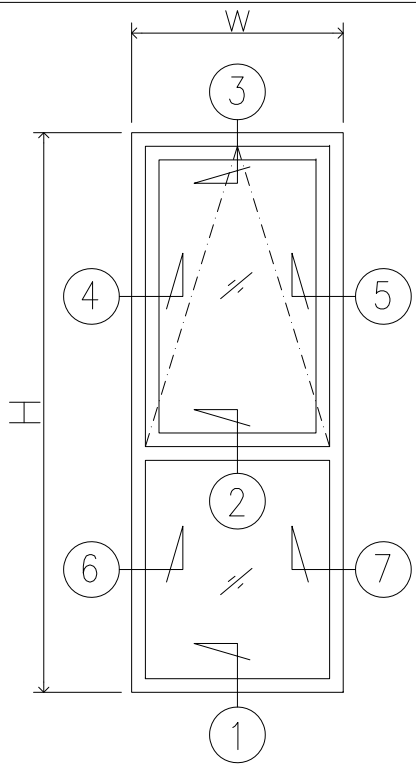
NO.		REVISION	
NO.	DATE	DESCRIPTION	APPROVED

DATE :
DESIGN & DWN : MANIT SRISANGSUNG
TEL. 4193
CHKD. BY :
SCALE : 1 : 2 (A3)

APPROVED BY :
DRAWING NO.
FC-04

LOCATION :

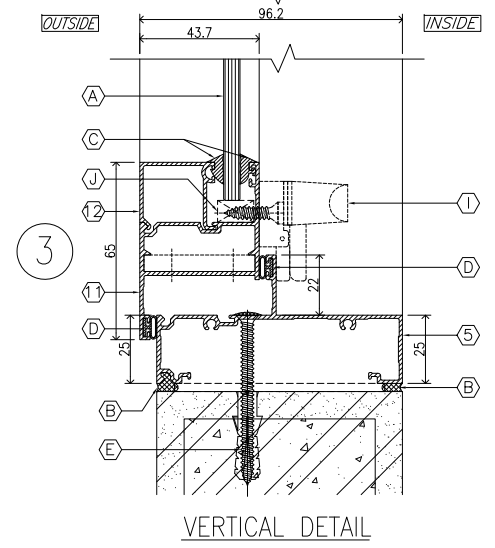
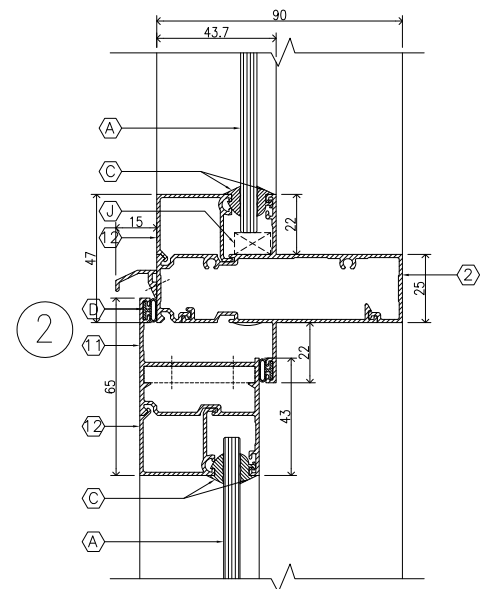
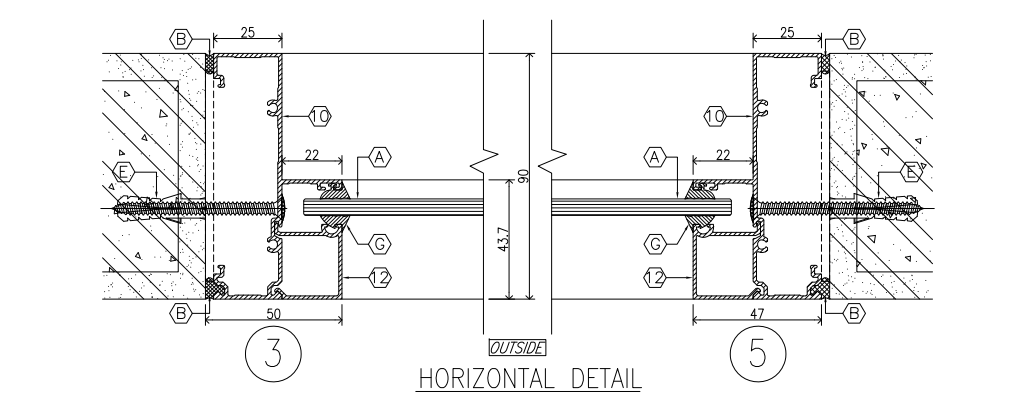
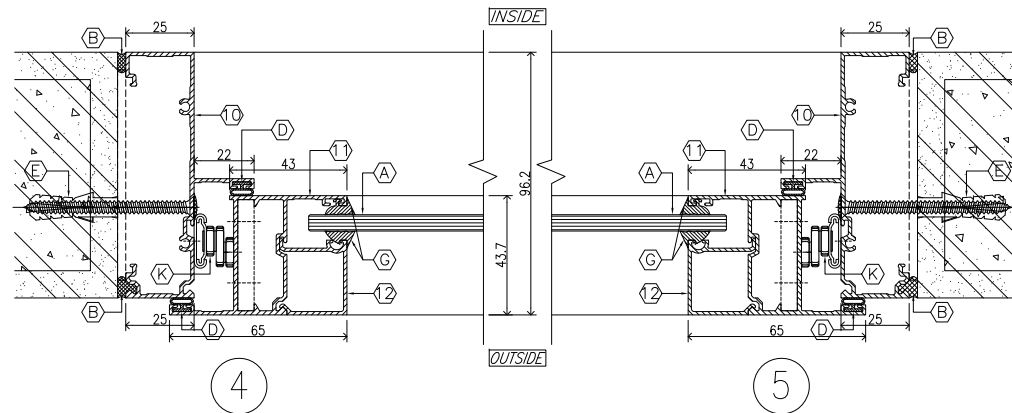
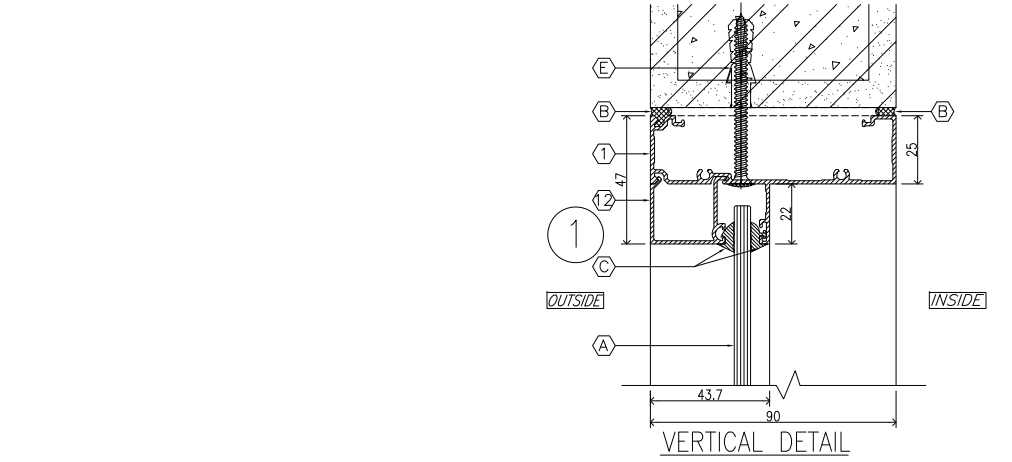
LOCATION :




TYPICAL FIXED & CASEMENT WINDOW ELEVATION

SYMBOL	ALUMINIUM EXTRUDED SECTION ALLOY 6063-T5
①	HEAD SECTION
②	TRANSOM SECTION
③	TOPRAIL SECTION
④	BOTTOMRAIL SECTION
⑤	SILL SECTION
⑥	LOCKER STILE SECTION
⑦	INTER LOCKER STILE SECTION
⑧	STILE SECTION
⑨	MULLION SECTION
⑩	JAMB SECTION
⑪	SASH SECTION
⑫	BEAD SECTION

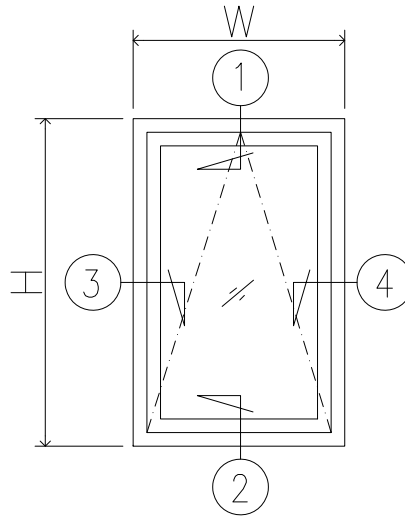
SYMBOL	ACCESSORIES DOOR & WINDOW
(A)	GLASS PANELS
(B)	SILICONE SEALANT
(C)	GLAZING GASKET
(D)	BUBBLE GASKET
(E)	SCREW & NYLON PLUG
(F)	WOOL PILE
(G)	ROLLER SLIDING
(H)	HANDLE LOCK
(I)	CAM LOCK
(J)	SETTING BLOCK



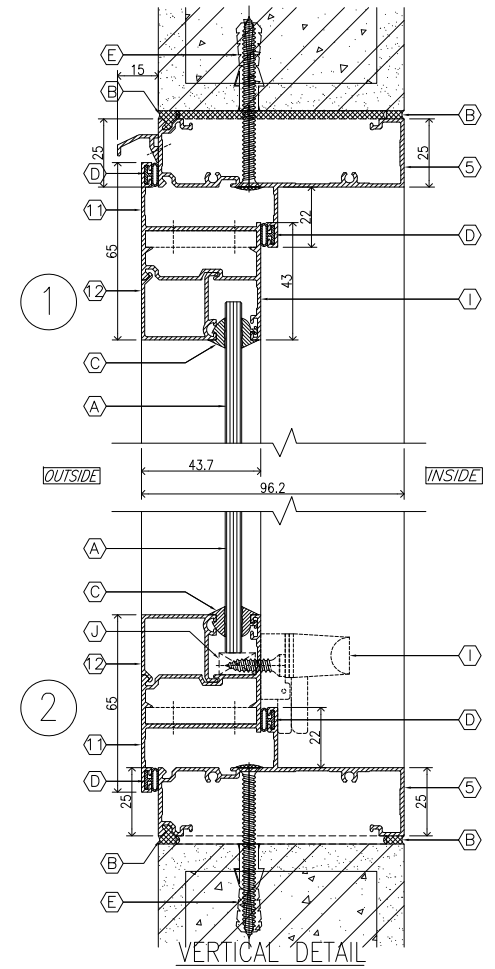
PROJECT : STANDARD PROJECT	OWNER :	ALUMINIUM CONTRACTOR : <div style="text-align: center;"> <small>ORM COLTD. 288 Hooz 7, Bangsar Bangkang Cluster 2080 Tel: 03-953234 Fax: 03-952855 www.orm2551@telcel.com</small></div>	DRAWING TITLE DOOR & WINDOW TYPICAL STANDARD DETAIL	REVISION			DATE :	APPROVED BY
				NO.	DATE	DESCRIPTION		
LOCATION :	LOCATION :				SCALE : 1 : 2 (A3)		DRAWING NO. FC-05	

SYMBOL	AUMINIUM EXTRUDED SECTION ALLOY 6063-T5
①	HEAD SECTION
②	TRANSOM SECTION
③	TOPRAIL SECTION
④	BOTTOMRAIL SECTION
⑤	SILL SECTION
⑥	LOCKER STILE SECTION
⑦	INTER LOCKER STILE SECTION
⑧	STILE SECTION
⑨	MULLION SECTION
⑩	JAMB SECTION
⑪	SASH SECTION
⑫	BEAD SECTION

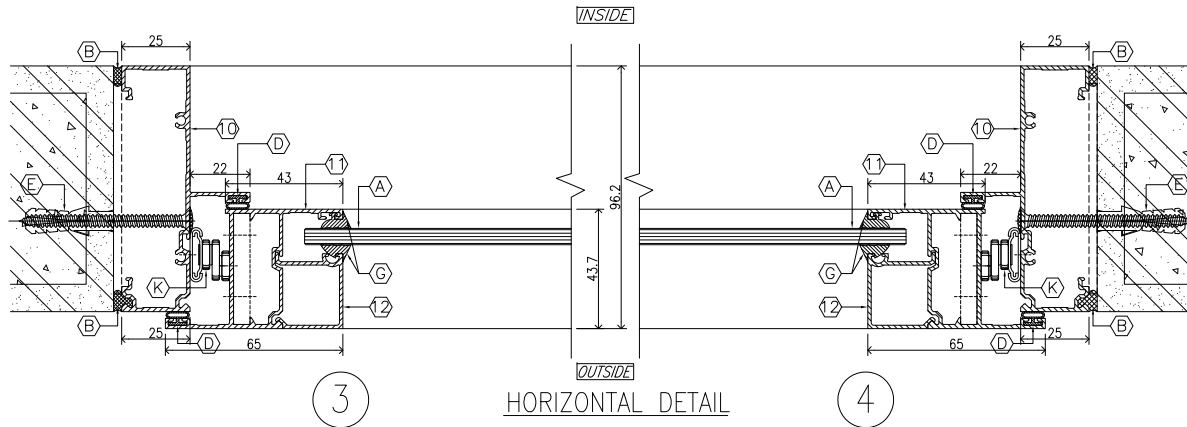
SYMBOL	ACCESSORIES DOOR & WINDOW
(A)	GLASS PANELS
(B)	SILICONE SEALANT
(C)	GLAZING GASKET
(D)	BUBBLE GASKET
(E)	SCREW & NYLON PLUG
(F)	WOOL PILE
(G)	ROLLER SLIDING
(H)	HANDLE LOCK
(I)	CAM LOCK
(J)	SETTING BLOCK



TYPICAL CASEMENT WINDOW ELEVATION



VERTICAL DETAIL




HORIZONTAL DETAIL

PROJECT :
STANDARD PROJECT

OWNER :
LOCATION :

ALUMINIUM CONTRACTOR :



ORM
COLLTD.

289 Hoe7, Bangsar Bangkang Cluster 2000
Tel: 03-953341 Fax: 03-953355
www.orm2550@hotmail.com

DRAWING TITLE
DOOR & WINDOW
TYPICAL STANDARD DETAIL

REVISION		DATE :	APPROVED BY
NO.	DATE	DESCRIPTION	APPROVED

DESIGN & DWN : MANIT SRISANGSUNG
WJ.4193

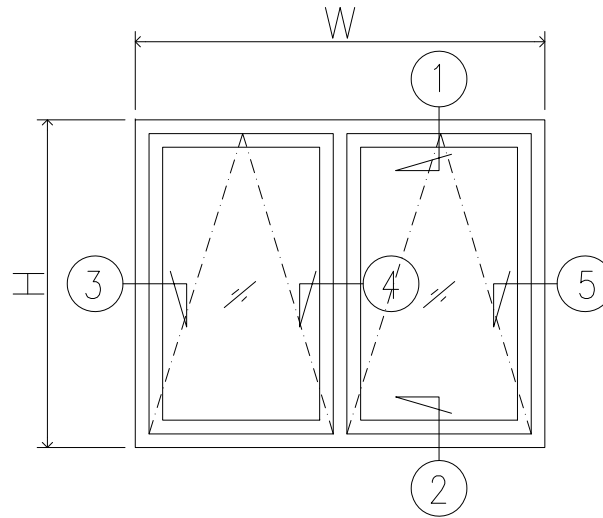
CHKD. BY :

SCALE : 1 : 2 (A3)

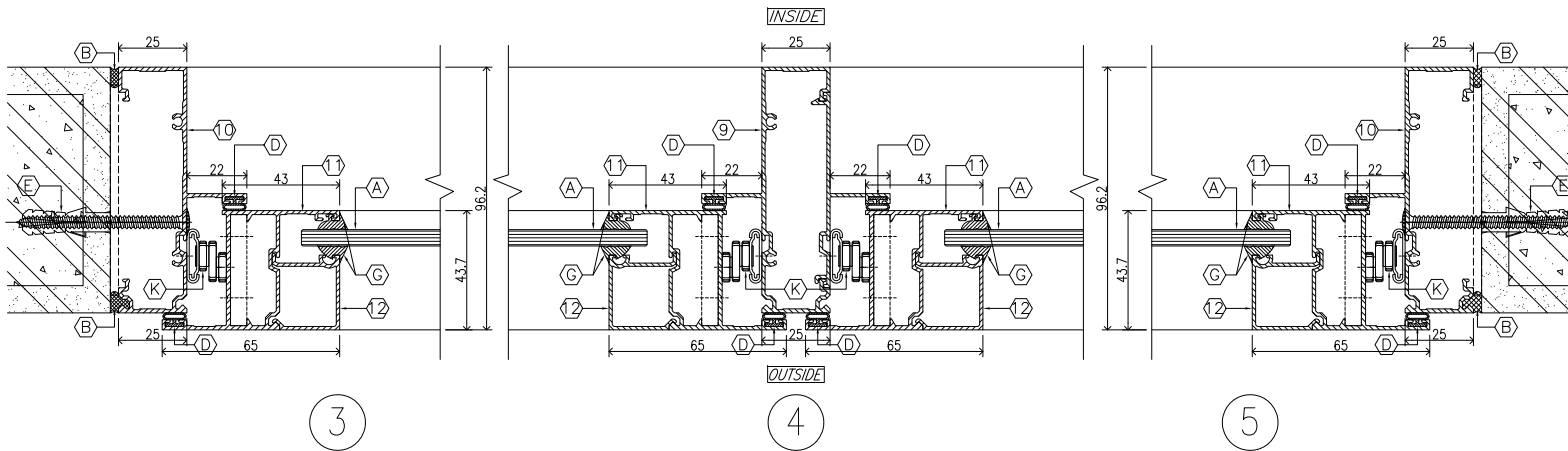
DRAWING NO.
FC-06

ALUMINIUM EXTRUDED SECTION ALLOY 6063-T5	
①	HEAD SECTION
②	TRANSOM SECTION
③	TOPRAIL SECTION
④	BOTTOMRAIL SECTION
⑤	SILL SECTION
⑥	LOCKER STILE SECTION
⑦	INTER LOCKER STILE SECTION
⑧	STILE SECTION
⑨	MULLION SECTION
⑩	JAMB SECTION
⑪	SASH SECTION
⑫	BEAD SECTION

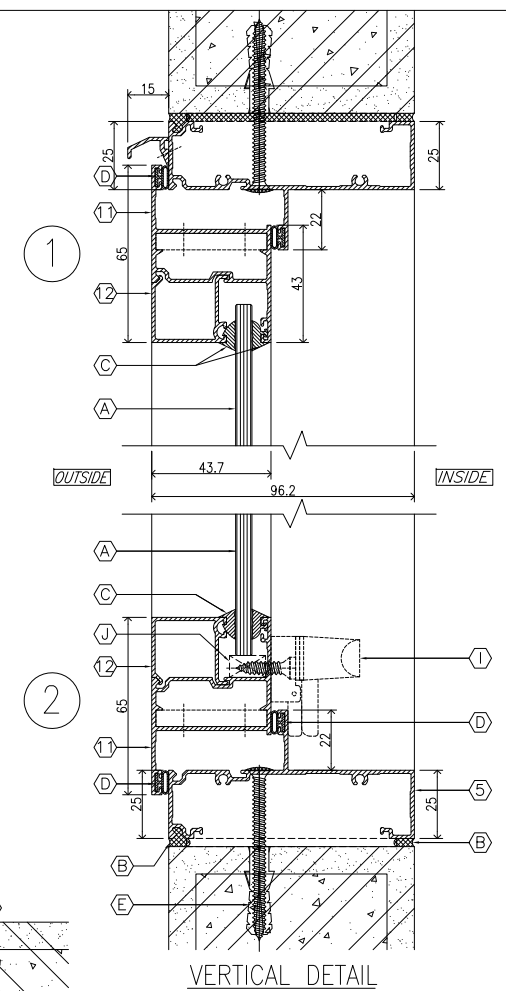
ACCESSORIES DOOR & WINDOW	
(A)	GLASS PANELS
(B)	SILICONE SEALANT
(C)	GLAZING GASKET
(D)	BUBBLE GASKET
(E)	SCREW & NYLON PLUG
(F)	WOOL PILE
(G)	ROLLER SLIDING
(H)	HANDLE LOCK
(I)	CAM LOCK
(J)	SETTING BLOCK




TYPICAL CASEMENT WINDOW ELEVATION



HORIZONTAL DETAIL



VERTICAL DETAIL

PROJECT : STANDARD PROJECT	OWNER :	ALUMINIUM CONTRACTOR :  <small>288 Moor 7, Bangsar Bangkong Chertal 2080 Tel: 03-953241 Fax: 03-952855 www.orm.com.my</small>	DRAWING TITLE DOOR & WINDOW TYPICAL STANDARD DETAIL	REVISION			DATE :	APPROVED BY
				NO.	DATE	DESCRIPTION	APPROVED	DESIGN & DWN : MANIT SRISANGSUNG WJ. 4193
LOCATION :	LOCATION :					CHKD. BY :	FC-07	
							SCALE : 1 : 2 (A3)	