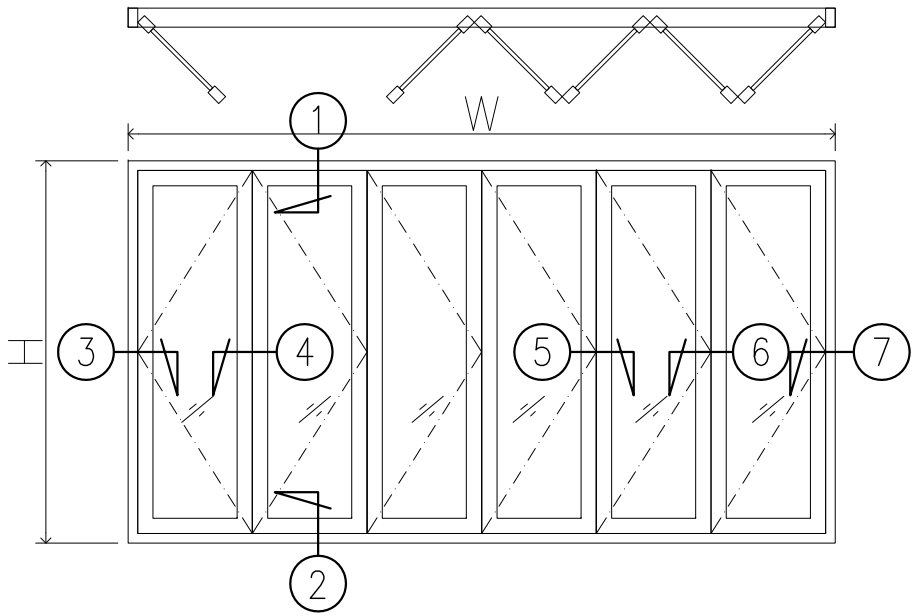
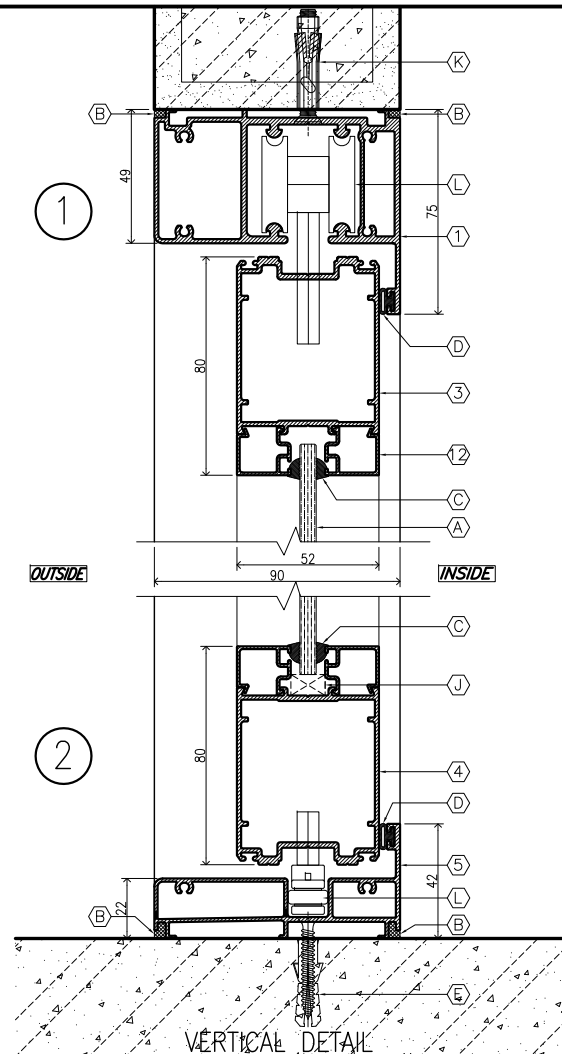


SYMBOL	AUMINIUM EXTRUDED SECTION ALLOY 6063-T5
①	HEAD SECTION
②	TRANSOM SECTION
③	TOPRAIL SECTION
④	BOTTOMRAIL SECTION
⑤	SILL SECTION
⑥	LOCKER STILE SECTION
⑦	INTER LOCKER STILE SECTION
⑧	STILE SECTION
⑨	MULLION SECTION
⑩	JAMB SECTION
⑪	SASH SECTION
⑫	BEAD SECTION

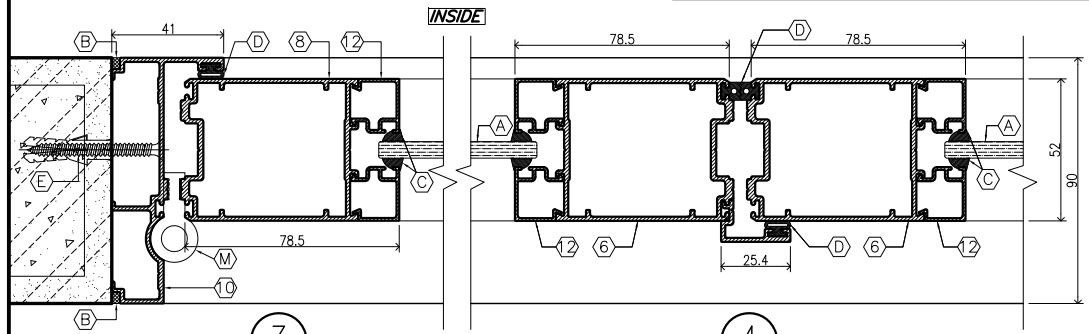
SYMBOL	ACCESSORIES DOOR & WINDOW
(A)	GLASS PANELS
(B)	SILICONE SEALANT
(C)	GLAZING GASKET
(D)	BUBBLE GASKET
(E)	SCREW & NYLON PLUG
(F)	WOOL PILE
(G)	ROLLER SLIDING
(H)	HANDLE LOCK
(I)	CAM LOCK
(J)	SETTING BLOCK
(K)	EXPANSION BOLTS
(L)	ROLLER
(M)	HINGE



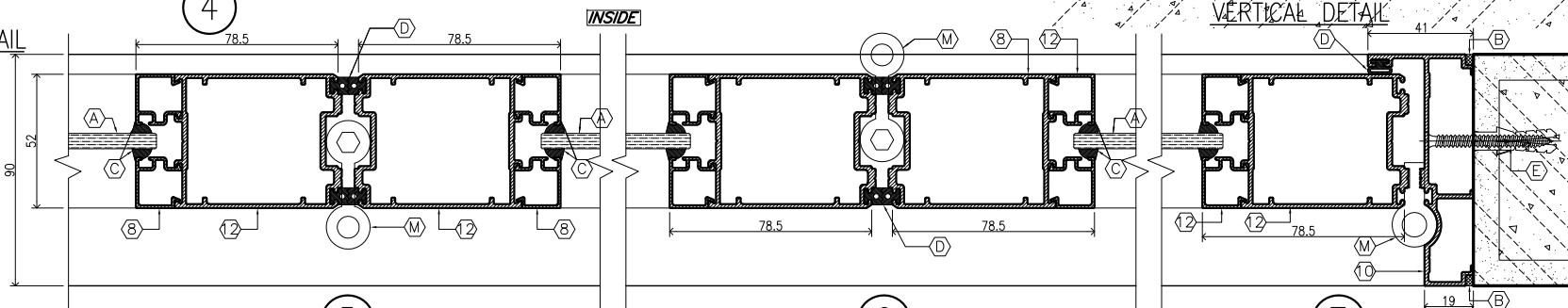
TYPICAL FIXED & CASEMENT WINDOW ELEVATION



VERTICAL DETAIL



HORIZONTAL DETAIL

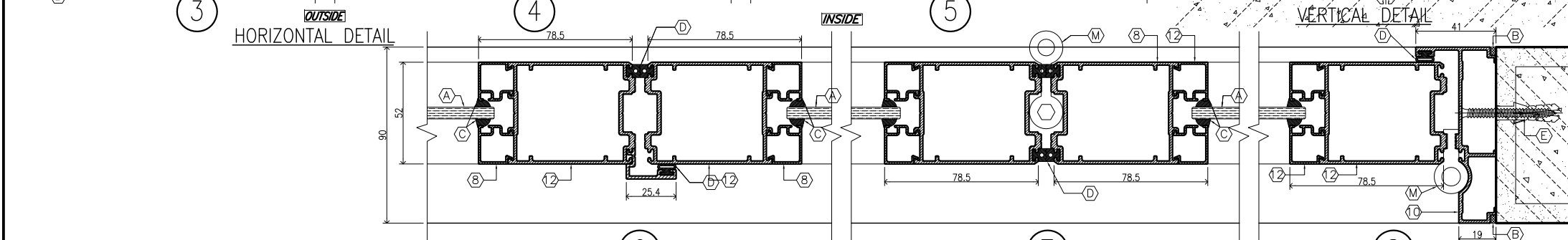
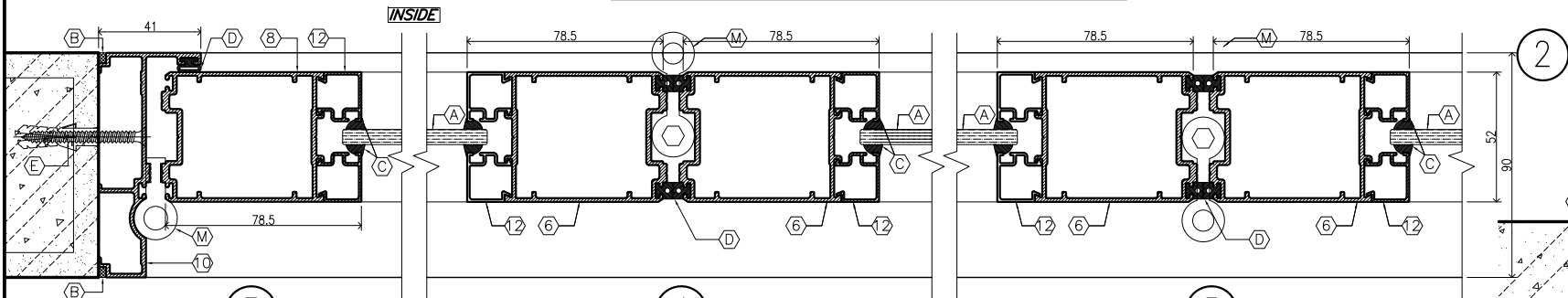
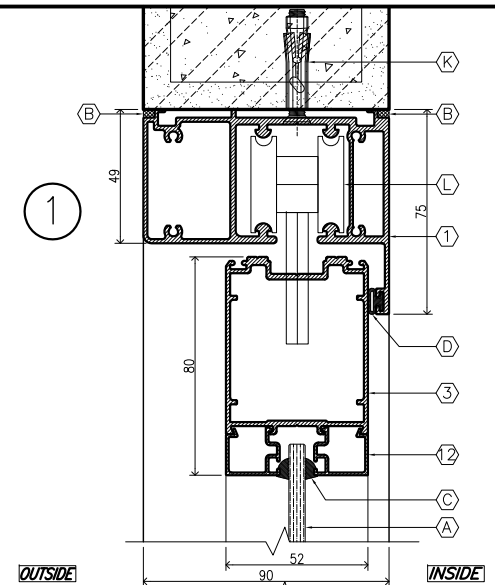
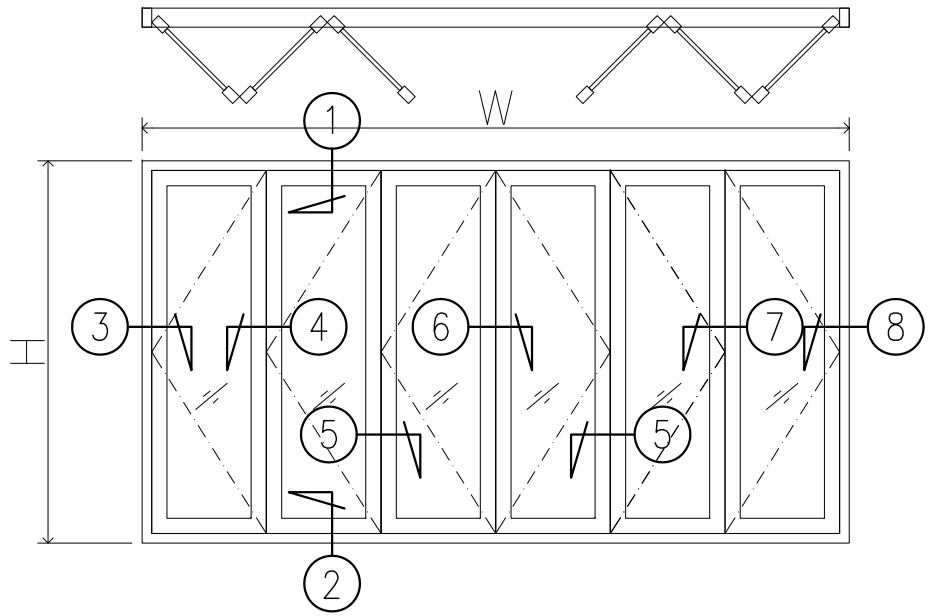


HORIZONTAL DETAIL

PROJECT : <b>STANDARD PROJECT</b>	OWNER :	ALUMINIUM CONTRACTOR : <b>ORM</b> <small>235 Macao 7, Hongkong Building District 2010 Tel : 003 982381 Fax : 003 982385 www.orm.com.hk</small>	DRAWING TITLE <b>DOOR &amp; WINDOW TYPICAL STANDARD DETAIL</b>	<table border="1"> <thead> <tr> <th colspan="3">REVISION</th> </tr> <tr> <th>NO.</th> <th>DATE</th> <th>DESCRIPTION</th> </tr> </thead> <tbody> <tr><td> </td><td> </td><td> </td></tr> <tr><td> </td><td> </td><td> </td></tr> <tr><td> </td><td> </td><td> </td></tr> </tbody> </table>	REVISION			NO.	DATE	DESCRIPTION										DATE : DESIGN & DWN : MANIT SRISANGSUNG TEL. 4193 CHKD. BY : SCALE : 1 : 2 (A3)	APPROVED BY :  DRAWING NO. <b>FD-01</b>
REVISION																					
NO.	DATE	DESCRIPTION																			
LOCATION :	LOCATION :																				

SYMBOL	AUMINIUM EXTRUDED SECTION ALLOY 6063-T5
①	HEAD SECTION
②	TRANSOM SECTION
③	TOPRAIL SECTION
④	BOTTOMRAIL SECTION
⑤	SILL SECTION
⑥	LOCKER STILE SECTION
⑦	INTER LOCKER STILE SECTION
⑧	STILE SECTION
⑨	MULLION SECTION
⑩	JAMB SECTION
⑪	SASH SECTION
⑫	BEAD SECTION

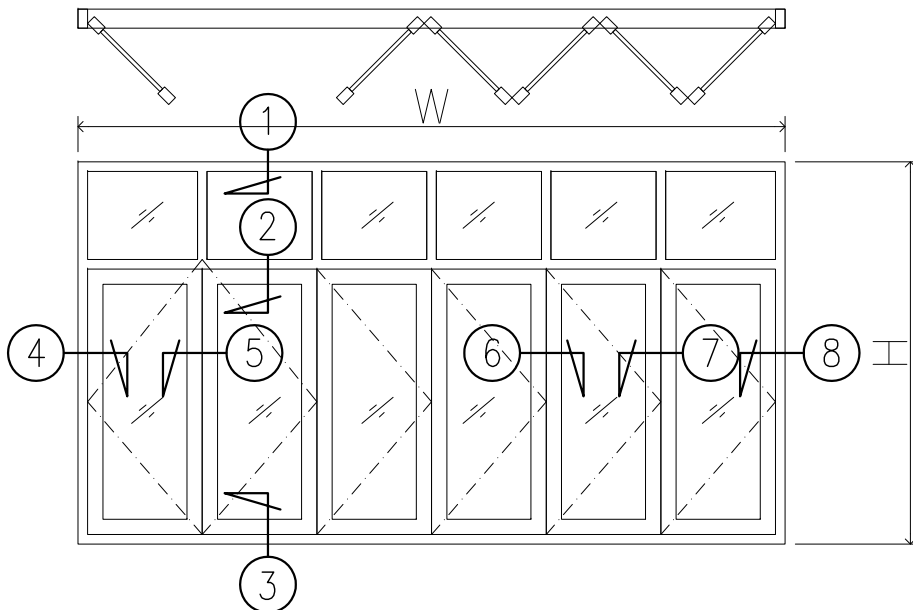
SYMBOL	ACCESSORIES DOOR & WINDOW
(A)	GLASS PANELS
(B)	SILICONE SEALANT
(C)	GLAZING GASKET
(D)	BUBBLE GASKET
(E)	SCREW & NYLON PLUG
(F)	WOOL PILE
(G)	ROLLER SLIDING
(H)	HANDLE LOCK
(I)	CAM LOCK
(J)	SETTING BLOCK
(K)	EXPANSION BOLTS
(L)	ROLLER
(M)	HINGE



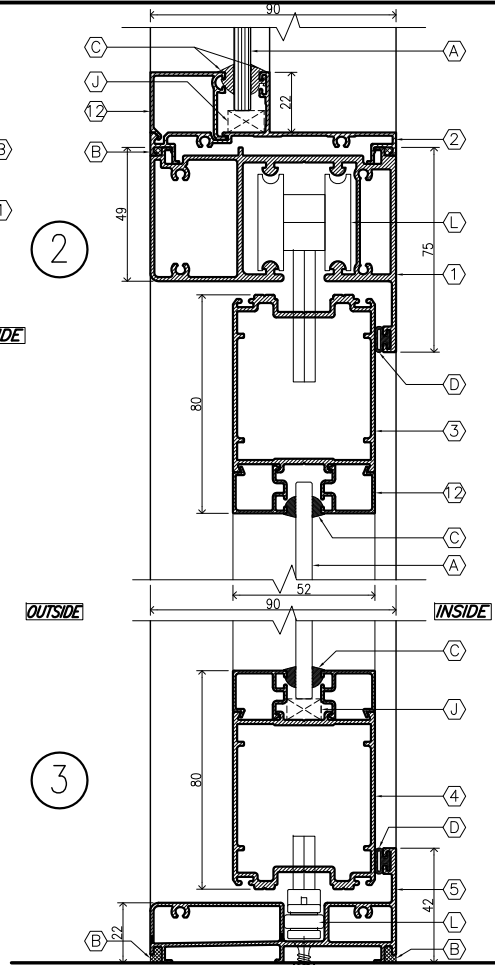
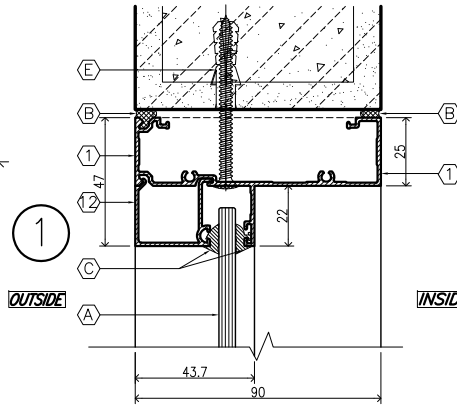
PROJECT : <b>STANDARD PROJECT</b>	OWNER :	ALUMINIUM CONTRACTOR : <b>ORM</b> <small>235 Macao 7, Kingpin Building, October 2010 Tel: 033 993398 Fax: 033-993385 www.orm.com.hk</small>	DRAWING TITLE <b>DOOR &amp; WINDOW TYPICAL STANDARD DETAIL</b>	<table border="1"> <thead> <tr> <th colspan="3">REVISION</th> </tr> <tr> <th>NO.</th> <th>DATE</th> <th>DESCRIPTION</th> </tr> </thead> <tbody> <tr><td> </td><td> </td><td> </td></tr> <tr><td> </td><td> </td><td> </td></tr> <tr><td> </td><td> </td><td> </td></tr> </tbody> </table>	REVISION			NO.	DATE	DESCRIPTION										DATE : DESIGN & DWN : MANIT SRISANGSUNG <small>TEL: 41193</small> CHKD. BY : SCALE : 1 : 2 (A3)	APPROVED BY : DRAWING NO. <b>FD-02</b>
REVISION																					
NO.	DATE	DESCRIPTION																			
LOCATION :	LOCATION :																				

SYMBOL	ALUMINIUM EXTRUDED SECTION ALLOY 6063-T5
(1)	HEAD SECTION
(2)	TRANSOM SECTION
(3)	TOPRAIL SECTION
(4)	BOTTOMRAIL SECTION
(5)	SILL SECTION
(6)	LOCKER STILE SECTION
(7)	INTER LOCKER STILE SECTION
(8)	STILE SECTION
(9)	MULLION SECTION
(10)	JAMB SECTION
(11)	SASH SECTION
(12)	BEAD SECTION

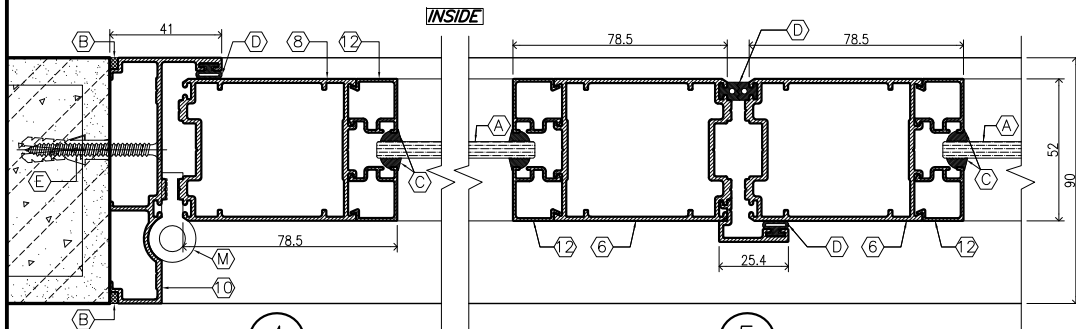
SYMBOL	ACCESSORIES DOOR & WINDOW
(A)	GLASS PANELS
(B)	SILICONE SEALANT
(C)	GLAZING GASKET
(D)	BUBBLE GASKET
(E)	SCREW & NYLON PLUG
(F)	WOOL PILE
(G)	ROLLER SLIDING
(H)	HANDLE LOCK
(I)	CAM LOCK
(J)	SETTING BLOCK
(K)	EXPANSION BOLTS
(L)	ROLLER
(M)	HINGE



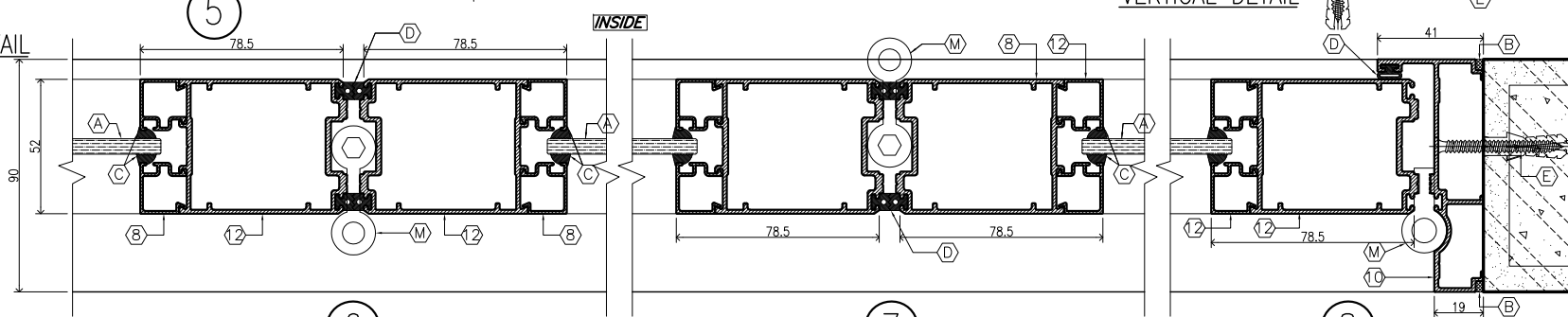
TYPICAL FIXED & CASEMENT WINDOW ELEVATION



VERTICAL DETAIL



HORIZONTAL DETAIL



HORIZONTAL DETAIL

PROJECT : <b>STANDARD PROJECT</b>	OWNER :	ALUMINIUM CONTRACTOR : <b>ORM</b> <small>235 Mac27, Singapore Singapore October 2010 Tel : 033 982381 Fax : 033-982385 www.orm255@msn.com</small>	DRAWING TITLE <b>DOOR &amp; WINDOW TYPICAL STANDARD DETAIL</b>	<table border="1"> <thead> <tr> <th colspan="2">REVISION</th> <th>DATE :</th> <th>APPROVED BY</th> </tr> <tr> <th>NO.</th> <th>DATE</th> <th>DESCRIPTION</th> <th>APPROVED</th> </tr> </thead> <tbody> <tr> <td> </td> <td> </td> <td> </td> <td> </td> </tr> </tbody> </table>	REVISION		DATE :	APPROVED BY	NO.	DATE	DESCRIPTION	APPROVED					<table border="1"> <tr> <td>DESIGN &amp; DWN : MANIT SRISANGSUNG TEL: 4193</td> <td rowspan="2">DRAWING NO. <b>FD-03</b></td> </tr> <tr> <td>CHKD. BY :</td> </tr> <tr> <td>SCALE : 1 : 2 (A3)</td> <td> </td> </tr> </table>	DESIGN & DWN : MANIT SRISANGSUNG TEL: 4193	DRAWING NO. <b>FD-03</b>	CHKD. BY :	SCALE : 1 : 2 (A3)	
REVISION		DATE :	APPROVED BY																			
NO.	DATE	DESCRIPTION	APPROVED																			
DESIGN & DWN : MANIT SRISANGSUNG TEL: 4193	DRAWING NO. <b>FD-03</b>																					
CHKD. BY :																						
SCALE : 1 : 2 (A3)																						
LOCATION :	LOCATION :																					