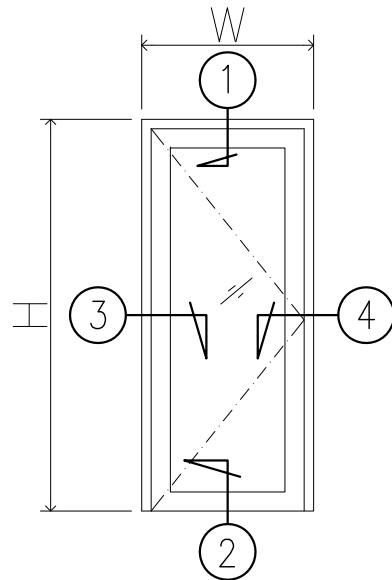
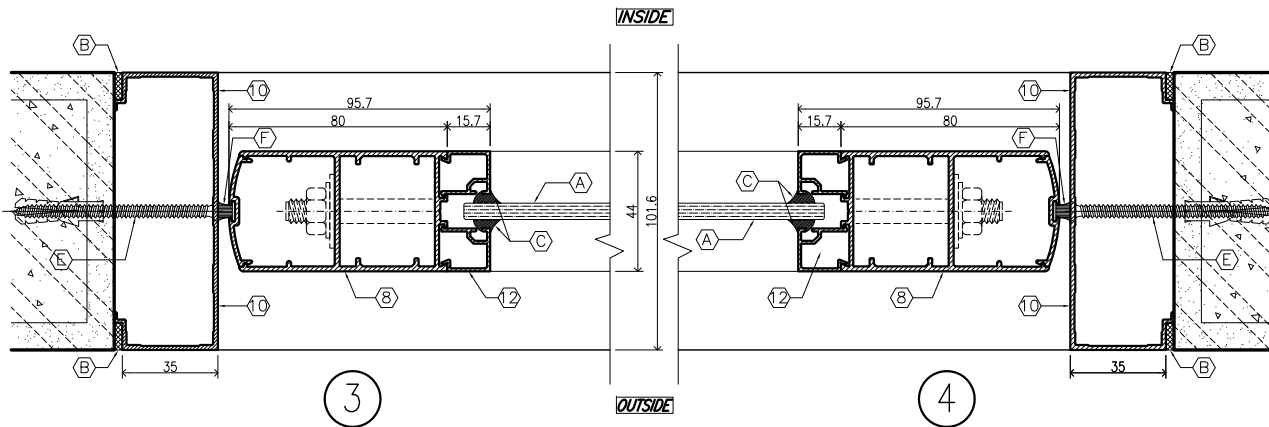


SYMBOL	AUMINIUM EXTRUDED SECTION ALLOY 6063-T5
①	HEAD SECTION
②	TRANSOM SECTION
③	TOPRAIL SECTION
④	BOTTOMRAIL SECTION
⑤	SILL SECTION
⑥	LOCKER STILE SECTION
⑦	INTER LOCKER STILE SECTION
⑧	STILE SECTION
⑨	MULLION SECTION
⑩	JAMB SECTION
⑪	SASH SECTION
⑫	BEAD SECTION

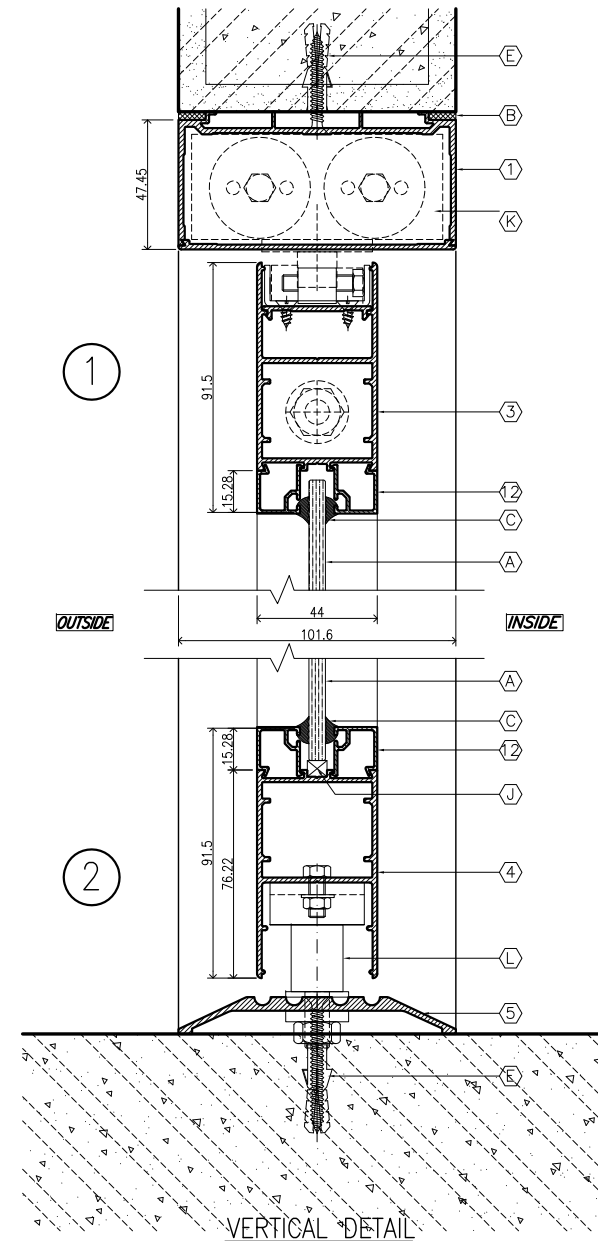
SYMBOL	ACCESSORIES DOOR & WINDOW
(A)	GLASS PANELS
(B)	SILICONE SEALANT
(C)	GLAZING GASKET
(D)	BUBBLE GASKET
(E)	SCREW & NYLON PLUG
(F)	WOOL PILE
(G)	ROLLER SLIDING
(H)	HANDLE LOCK
(I)	CAM LOCK
(J)	SETTING BLOCK
(K)	DOOR CLOSER
(L)	DOOR PIVOT



TYPICAL SWING DOOR ELEVATION



HORIZONTAL DETAIL



VERTICAL DETAIL

PROJECT :
STANDARD PROJECT

LOCATION :

OWNER :

LOCATION :

ALUMINIUM CONTRACTOR :



235 Macao, Hongkong Building October 2010
Tel : 003 983381 Fax : 003 983385
www.orm255@al.com

DRAWING TITLE

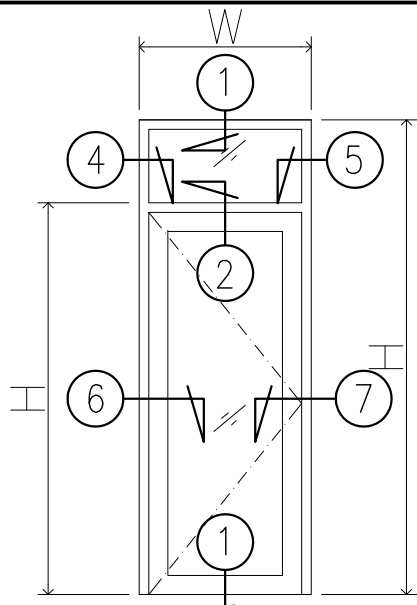
**DOOR & WINDOW
TYPICAL STANDARD DETAIL**

REVISION			
NO.	DATE	DESCRIPTION	APPROVED

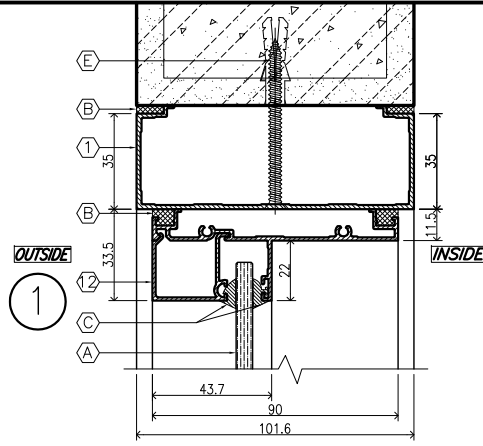
DATE :	APPROVED BY
DESIGN & DWN : MANIT SRISANGSUNG	DRAWING NO.
CHKD. BY :	
SCALE : 1 : (A3)	SW-01

SYMBOL	AUMINIUM EXTRUDED SECTION ALLOY 6063-T5
①	HEAD SECTION
②	TRANSOM SECTION
③	TOPRAIL SECTION
④	BOTTOMRAIL SECTION
⑤	SILL SECTION
⑥	LOCKER STILE SECTION
⑦	INTER LOCKER STILE SECTION
⑧	STILE SECTION
⑨	MULLION SECTION
⑩	JAMB SECTION
⑪	SASH SECTION
⑫	BEAD SECTION

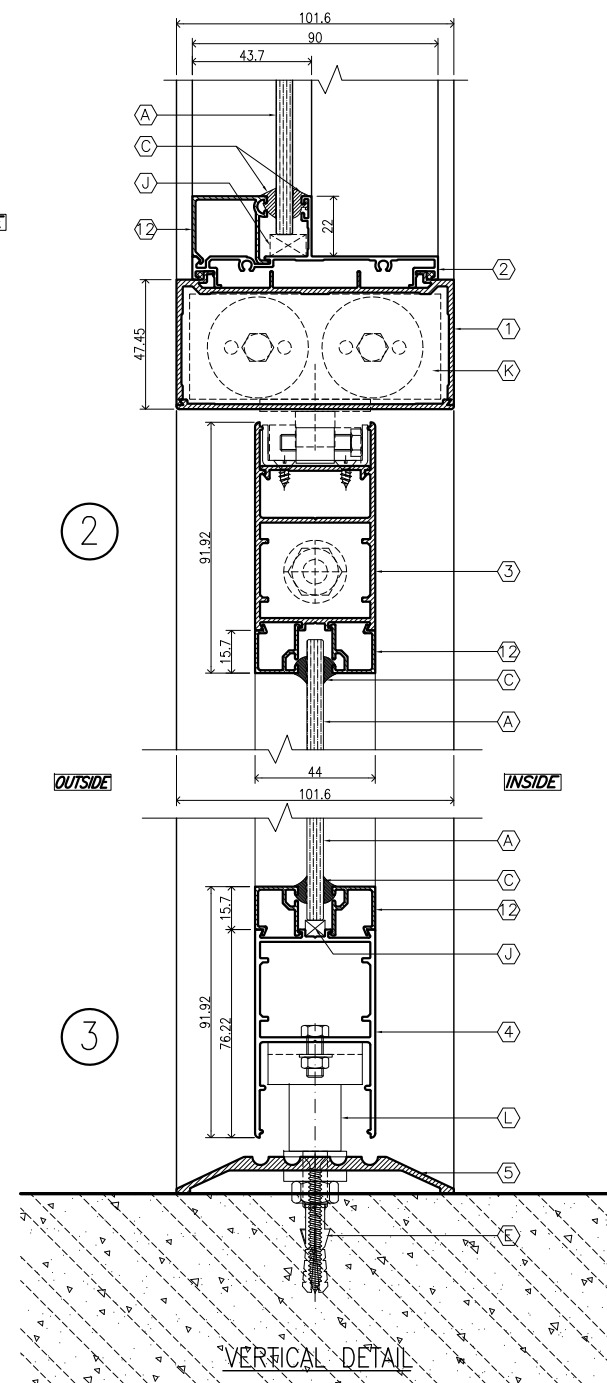
SYMBOL	ACCESSORIES DOOR & WINDOW
(A)	GLASS PANELS
(B)	SILICONE SEALANT
(C)	GLAZING GASKET
(D)	BUBBLE GASKET
(E)	SCREW & NYLON PLUG
(F)	WOOL PILE
(G)	ROLLER SLIDING
(H)	HANDLE LOCK
(I)	CAM LOCK
(J)	SETTING BLOCK
(K)	DOOR CLOSER
(L)	DOOR PIVOT



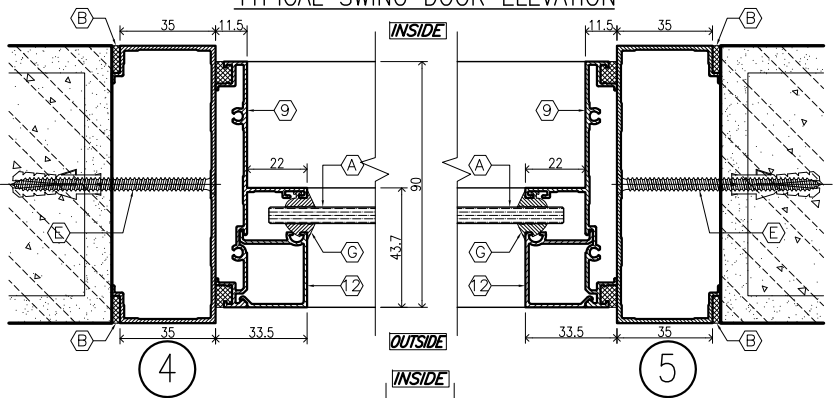
TYPICAL SWING DOOR ELEVATION



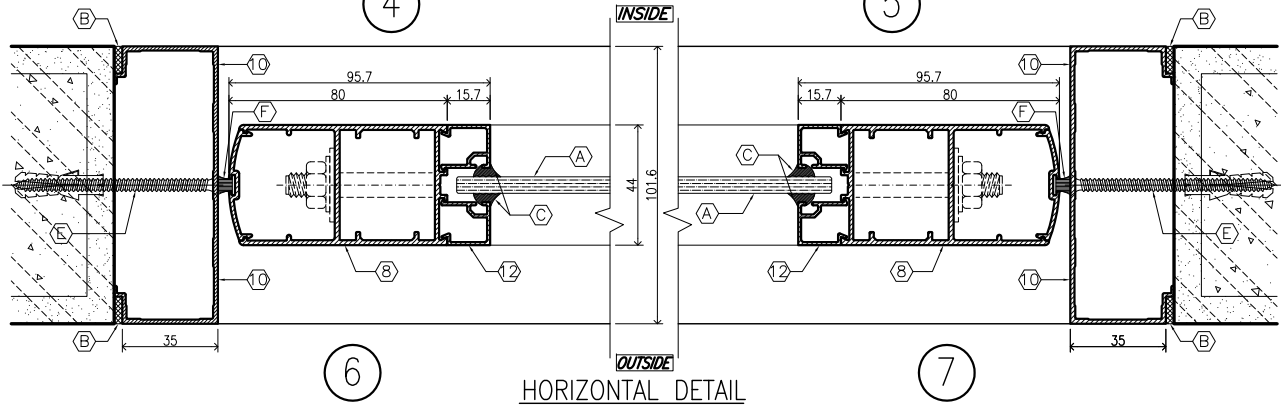
VERTICAL DETAIL



VERTICAL DETAIL



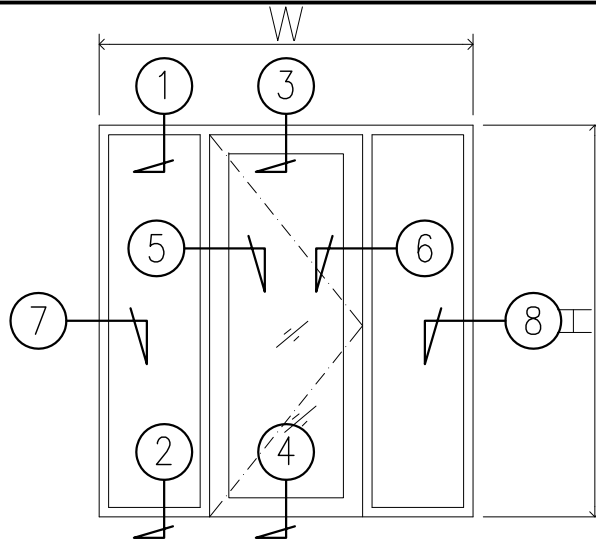
HORIZONTAL DETAIL



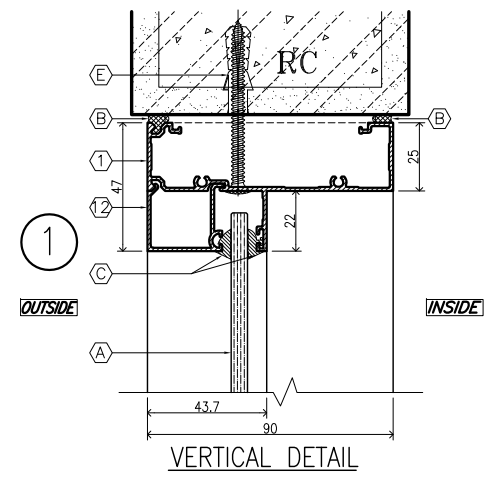
PROJECT : STANDARD PROJECT	OWNER :	ALUMINIUM CONTRACTOR : ORM 235 Macao 7, Hongkong Development Channel 2010 Tel : 033 98338 Fax : 033-98335 www.orm255@hkmail.com	DRAWING TITLE DOOR & WINDOW TYPICAL STANDARD DETAIL	DATE :	APPROVED BY
LOCATION :	LOCATION :			REVISION	DESIGN & DWN : MANIT SRISANGSUNG TEL. 4193
				NO. DATE DESCRIPTION APPROVED	CHKD. BY :
					SCALE : 1 : (A3)
					DRAWING NO. SW-03

SYMBOL	AUMINIUM EXTRUDED SECTION ALLOY 6063-T5
①	HEAD SECTION
②	TRANSOM SECTION
③	TOPRAIL SECTION
④	BOTTOMRAIL SECTION
⑤	SILL SECTION
⑥	LOCKER STILE SECTION
⑦	INTER LOCKER STILE SECTION
⑧	STILE SECTION
⑨	MULLION SECTION
⑩	JAMB SECTION
⑪	SASH SECTION
⑫	BEAD SECTION

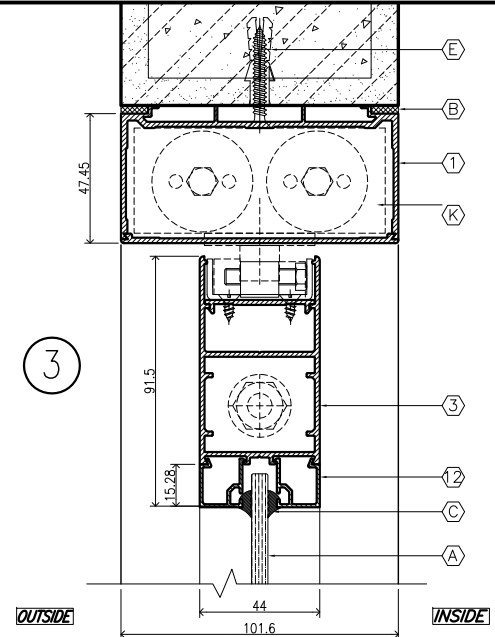
SYMBOL	ACCESSORIES DOOR & WINDOW
(A)	GLASS PANELS
(B)	SILICONE SEALANT
(C)	GLAZING GASKET
(D)	BUBBLE GASKET
(E)	SCREW & NYLON PLUG
(F)	WOOL PILE
(G)	ROLLER SLIDING
(H)	HANDLE LOCK
(I)	CAM LOCK
(J)	SETTING BLOCK
(K)	DOOR CLOSER
(L)	DOOR PIVOT



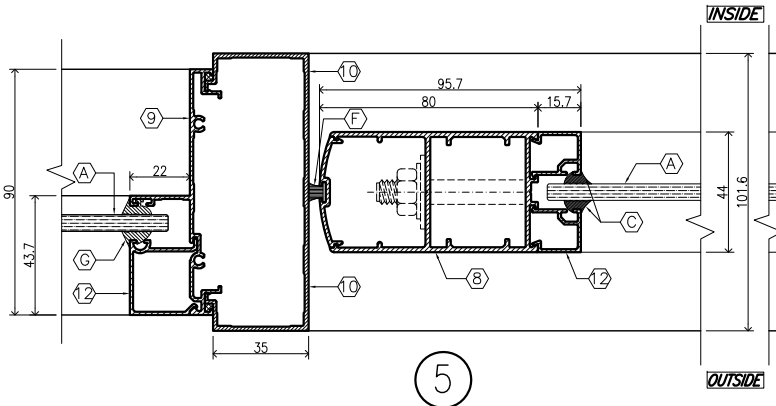
TYPICAL SWING DOOR ELEVATION



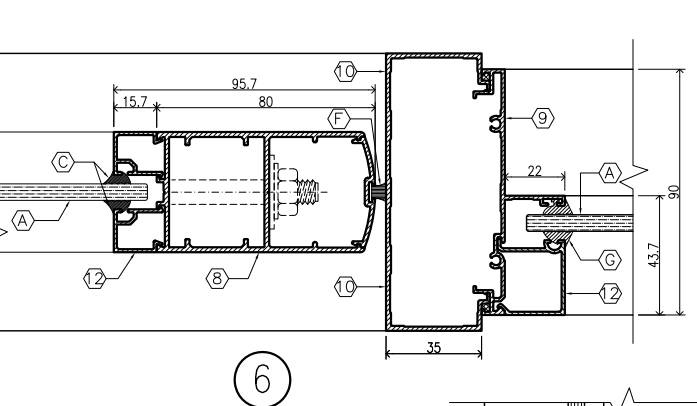
VERTICAL DETAIL



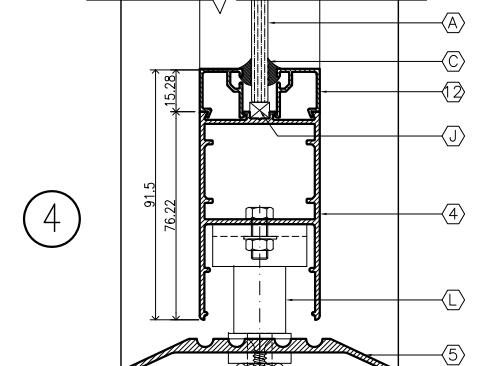
VERTICAL DETAIL



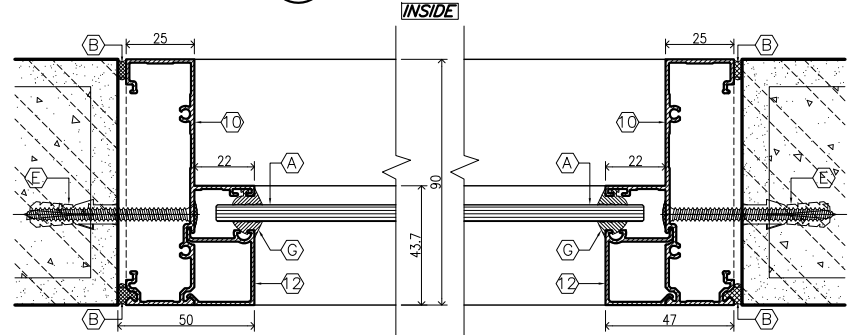
5



6

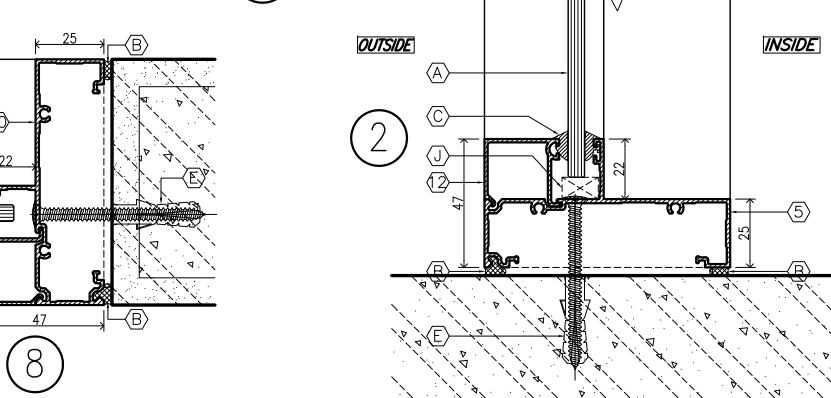


4



7

HORIZONTAL DETAIL

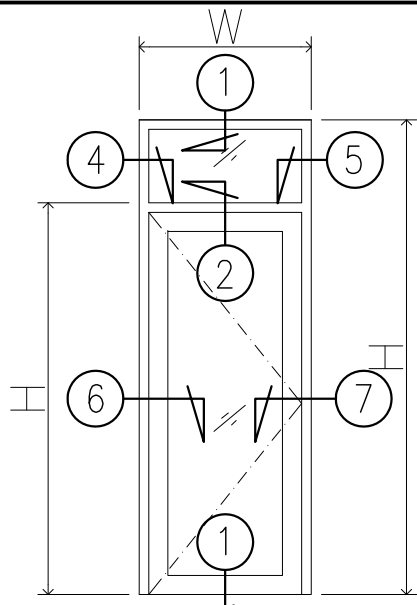


2

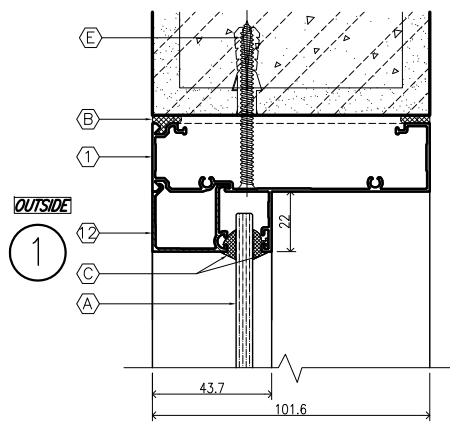
PROJECT : STANDARD PROJECT	OWNER :	ALUMINIUM CONTRACTOR : ORM <small>235 Macao 7, Kingpin Building, District 2010 Tel: 033 983368 Fax: 033-983385 www.orm.com.hk</small>	DRAWING TITLE DOOR & WINDOW TYPICAL STANDARD DETAIL	<table border="1"> <thead> <tr> <th colspan="2">REVISION</th> <th>DATE :</th> <th>APPROVED BY</th> </tr> <tr> <th>NO.</th> <th>DATE</th> <th>DESCRIPTION</th> <th>APPROVED</th> </tr> </thead> <tbody> <tr><td> </td><td> </td><td> </td><td> </td></tr> <tr><td> </td><td> </td><td> </td><td> </td></tr> </tbody> </table>	REVISION		DATE :	APPROVED BY	NO.	DATE	DESCRIPTION	APPROVED									<table border="1"> <tr> <td>DESIGN & DWN : MANIT SRISANGSUNG TEL: 4188</td> <td rowspan="2">DRAWING NO. SW-04</td> </tr> <tr> <td>CHKD. BY :</td> </tr> <tr> <td>SCALE : 1 : (A3)</td> <td> </td> </tr> </table>	DESIGN & DWN : MANIT SRISANGSUNG TEL: 4188	DRAWING NO. SW-04	CHKD. BY :	SCALE : 1 : (A3)	
REVISION		DATE :	APPROVED BY																							
NO.	DATE	DESCRIPTION	APPROVED																							
DESIGN & DWN : MANIT SRISANGSUNG TEL: 4188	DRAWING NO. SW-04																									
CHKD. BY :																										
SCALE : 1 : (A3)																										
LOCATION :	LOCATION :																									

SYMBOL	AUMINIUM EXTRUDED SECTION ALLOY 6063-T5
①	HEAD SECTION
②	TRANSOM SECTION
③	TOPRAIL SECTION
④	BOTTOMRAIL SECTION
⑤	SILL SECTION
⑥	LOCKER STILE SECTION
⑦	INTER LOCKER STILE SECTION
⑧	STILE SECTION
⑨	MULLION SECTION
⑩	JAMB SECTION
⑪	SASH SECTION
⑫	BEAD SECTION

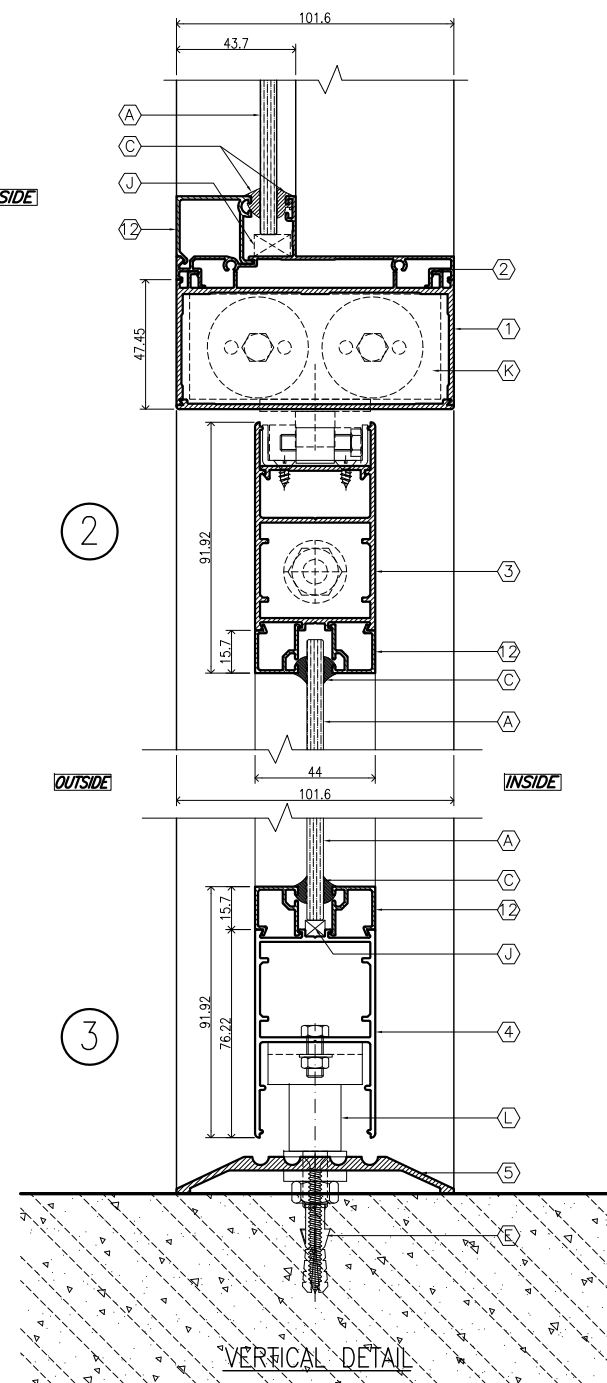
SYMBOL	ACCESSORIES DOOR & WINDOW
(A)	GLASS PANELS
(B)	SILICONE SEALANT
(C)	GLAZING GASKET
(D)	BUBBLE GASKET
(E)	SCREW & NYLON PLUG
(F)	WOOL PILE
(G)	ROLLER SLIDING
(H)	HANDLE LOCK
(I)	CAM LOCK
(J)	SETTING BLOCK
(K)	DOOR CLOSER
(L)	DOOR PIVOT



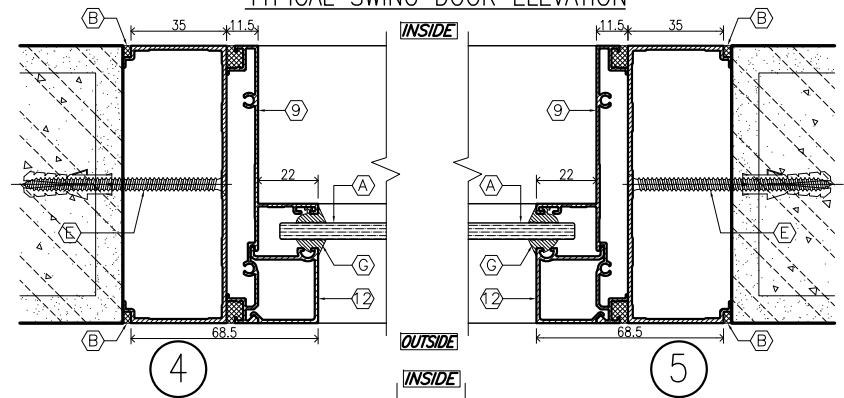
TYPICAL SWING DOOR ELEVATION



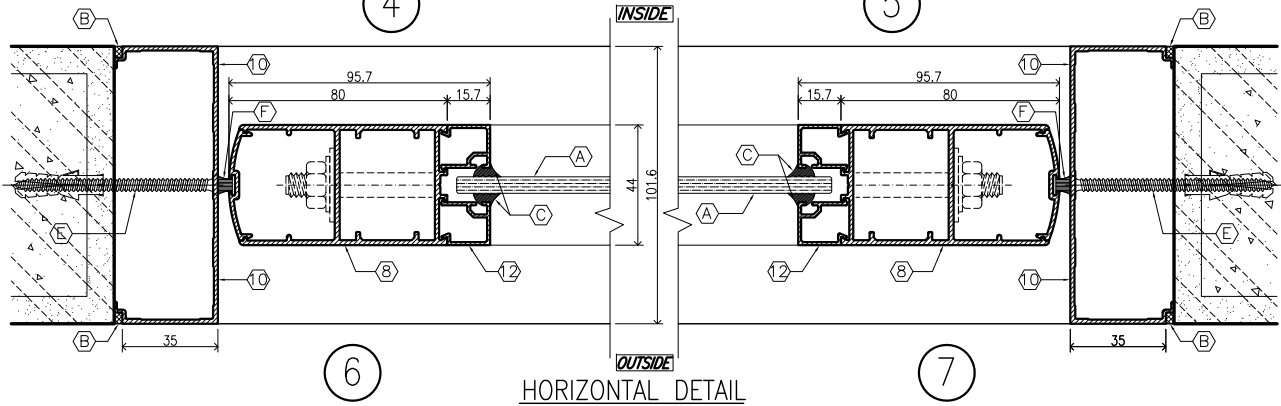
VERTICAL DETAIL



VERTICAL DETAIL



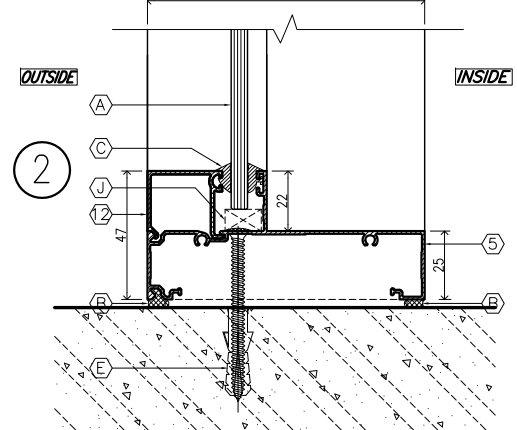
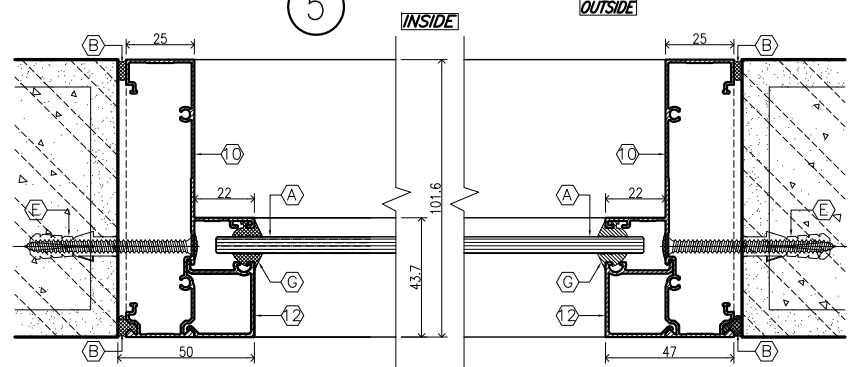
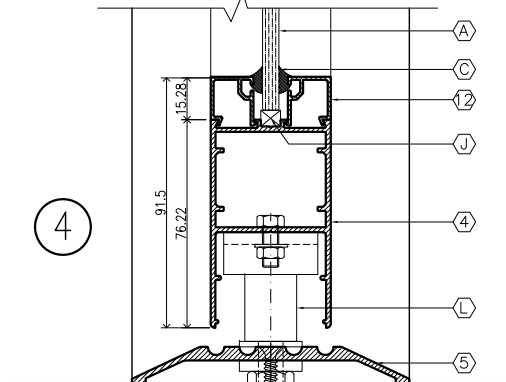
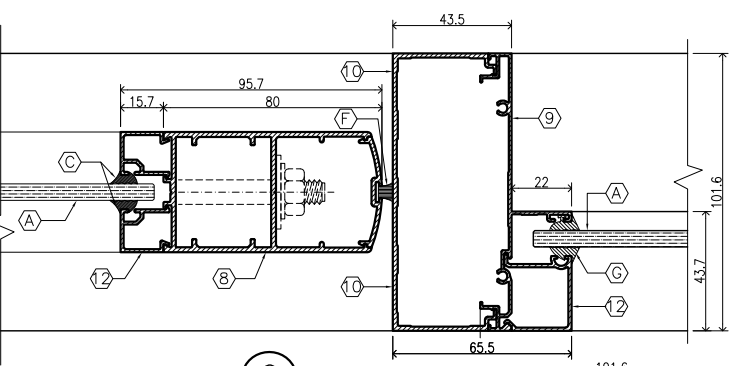
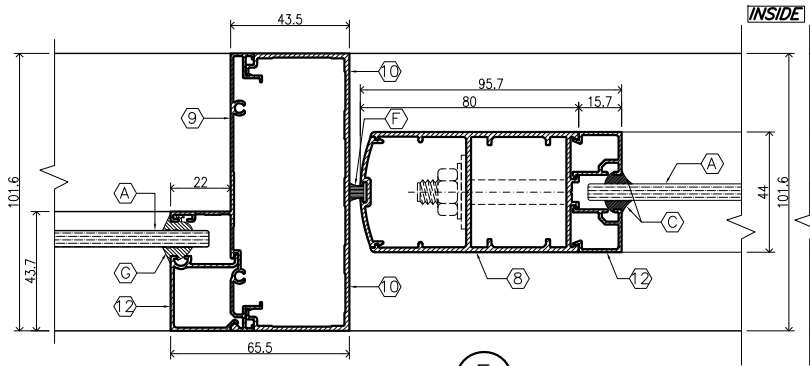
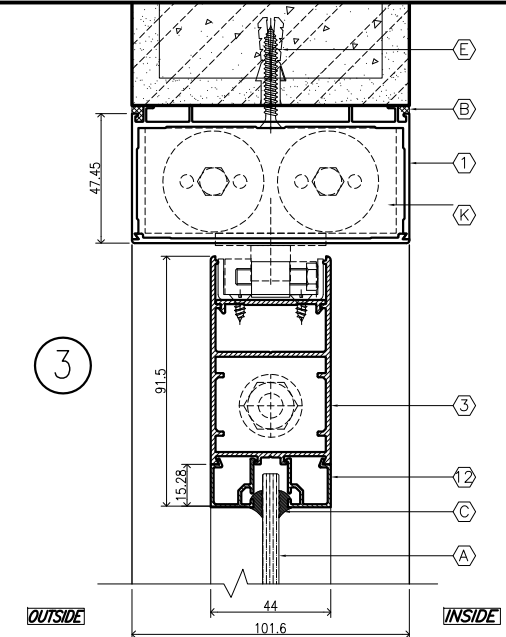
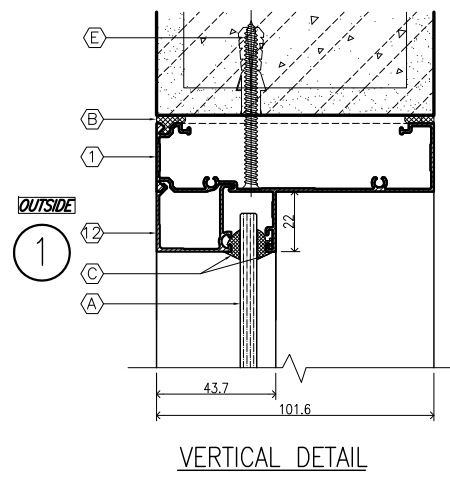
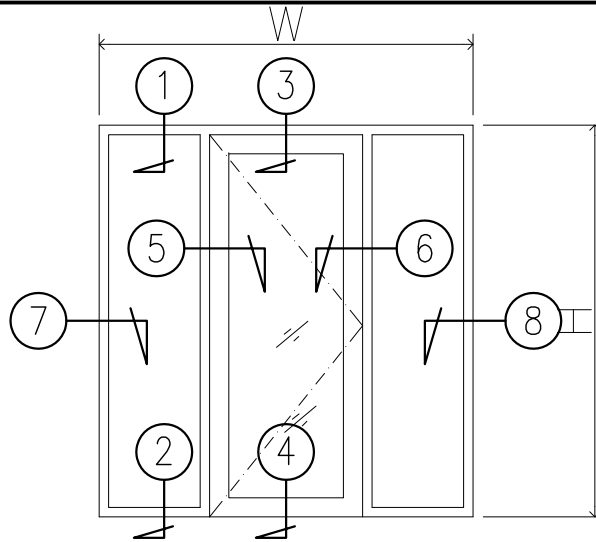
HORIZONTAL DETAIL



PROJECT :	OWNER :	ALUMINIUM CONTRACTOR :	DRAWING TITLE	REVISION	DATE :	APPROVED BY
STANDARD PROJECT		ORM www.orm.com	DOOR & WINDOW TYPICAL STANDARD DETAIL	NO. DATE DESCRIPTION APPROVED	DESIGN & DWN : MANIT SRISANGSUNG TEL. 4193	
LOCATION :	LOCATION :	235 Moo7, Kingpin Banglamung Chonburi 20150 Tel : 033-882381 Fax : 033-882385 www.orm.com			CHKD. BY :	DRAWING NO.
					SCALE : 1 : (A3)	SW-05

SYMBOL	AUMINIUM EXTRUDED SECTION ALLOY 6063-T5
①	HEAD SECTION
②	TRANSOM SECTION
③	TOPRAIL SECTION
④	BOTTOMRAIL SECTION
⑤	SILL SECTION
⑥	LOCKER STILE SECTION
⑦	INTER LOCKER STILE SECTION
⑧	STILE SECTION
⑨	MULLION SECTION
⑩	JAMB SECTION
⑪	SASH SECTION
⑫	BEAD SECTION

SYMBOL	ACCESSORIES DOOR & WINDOW
(A)	GLASS PANELS
(B)	SILICONE SEALANT
(C)	GLAZING GASKET
(D)	BUBBLE GASKET
(E)	SCREW & NYLON PLUG
(F)	WOOL PILE
(G)	ROLLER SLIDING
(H)	HANDLE LOCK
(I)	CAM LOCK
(J)	SETTING BLOCK
(K)	DOOR CLOSER
(L)	DOOR PIVOT



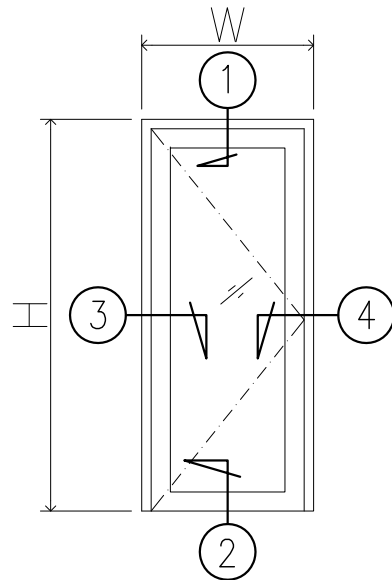
HORIZONTAL DETAIL

VERTICAL DETAIL

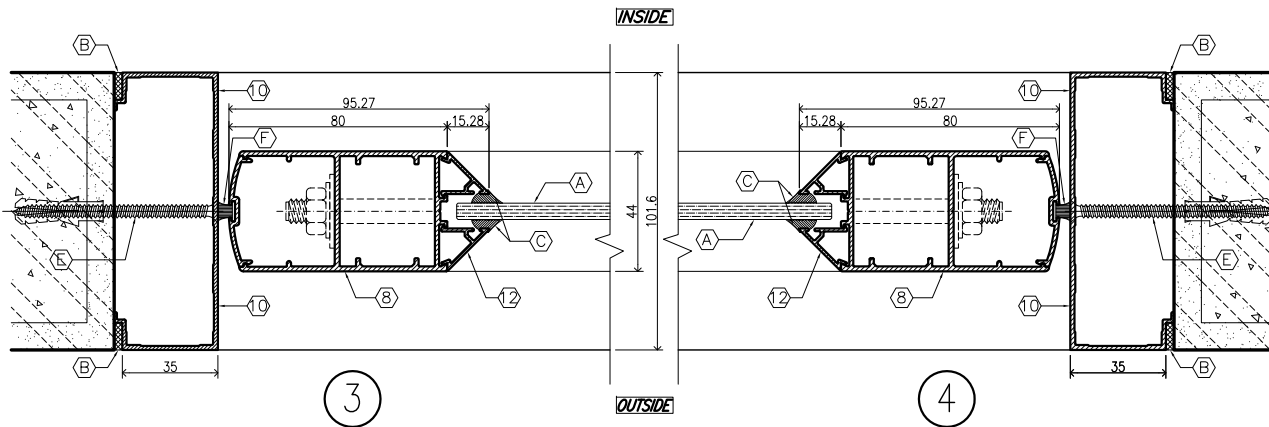
PROJECT : STANDARD PROJECT	OWNER :	ALUMINIUM CONTRACTOR : ORM 235 Moo7, Kingpin Banglamung Chantol 2010 Tel: 033-993381 Fax: 033-993385 www.orm2558@fnet.com	DRAWING TITLE DOOR & WINDOW TYPICAL STANDARD DETAIL	REVISION NO. DATE DESCRIPTION APPROVED	DATE : DESIGN & DWN : MANIT SRISANGSUNG TEL. 4193 CHKD. BY : SCALE : 1 : (A3)	APPROVED BY SW-06
--------------------------------------	---------	--	---	---	---	-----------------------------

SYMBOL	AUMINIUM EXTRUDED SECTION ALLOY 6063-T5
①	HEAD SECTION
②	TRANSOM SECTION
③	TOPRAIL SECTION
④	BOTTOMRAIL SECTION
⑤	SILL SECTION
⑥	LOCKER STILE SECTION
⑦	INTER LOCKER STILE SECTION
⑧	STILE SECTION
⑨	MULLION SECTION
⑩	JAMB SECTION
⑪	SASH SECTION
⑫	BEAD SECTION

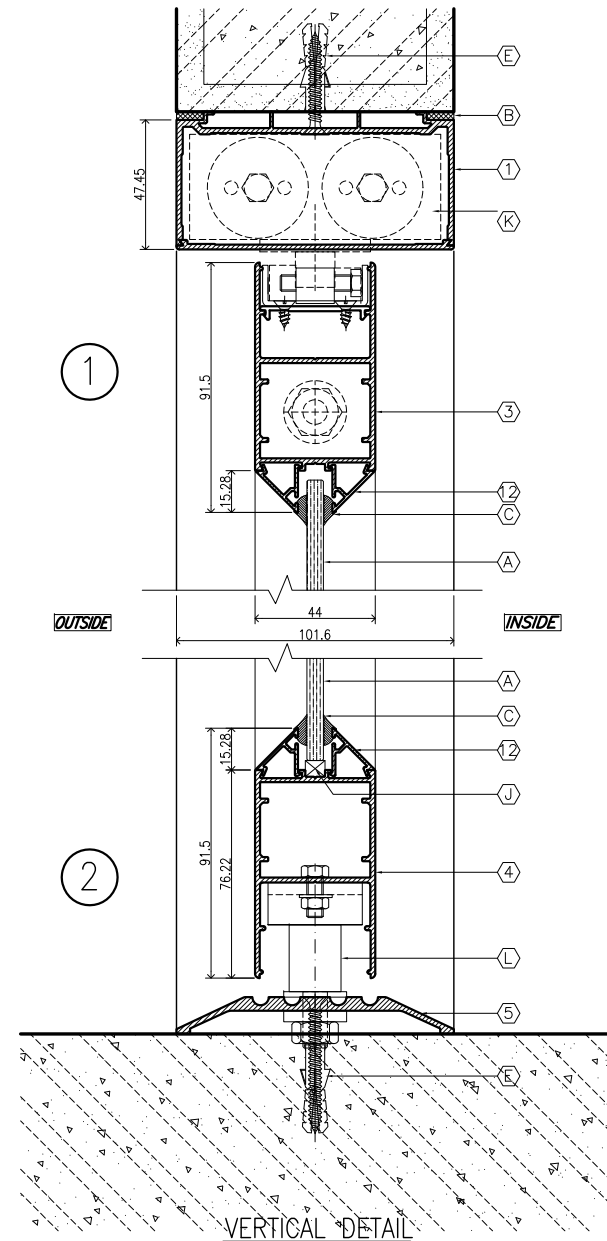
SYMBOL	ACCESSORIES DOOR & WINDOW
(A)	GLASS PANELS
(B)	SILICONE SEALANT
(C)	GLAZING GASKET
(D)	BUBBLE GASKET
(E)	SCREW & NYLON PLUG
(F)	WOOL PILE
(G)	ROLLER SLIDING
(H)	HANDLE LOCK
(I)	CAM LOCK
(J)	SETTING BLOCK
(K)	DOOR CLOSER
(L)	DOOR PIVOT



TYPICAL SWING DOOR ELEVATION



HORIZONTAL DETAIL

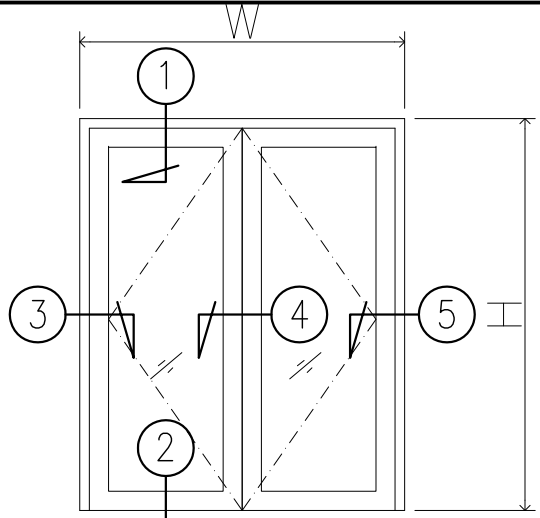


VERTICAL DETAIL

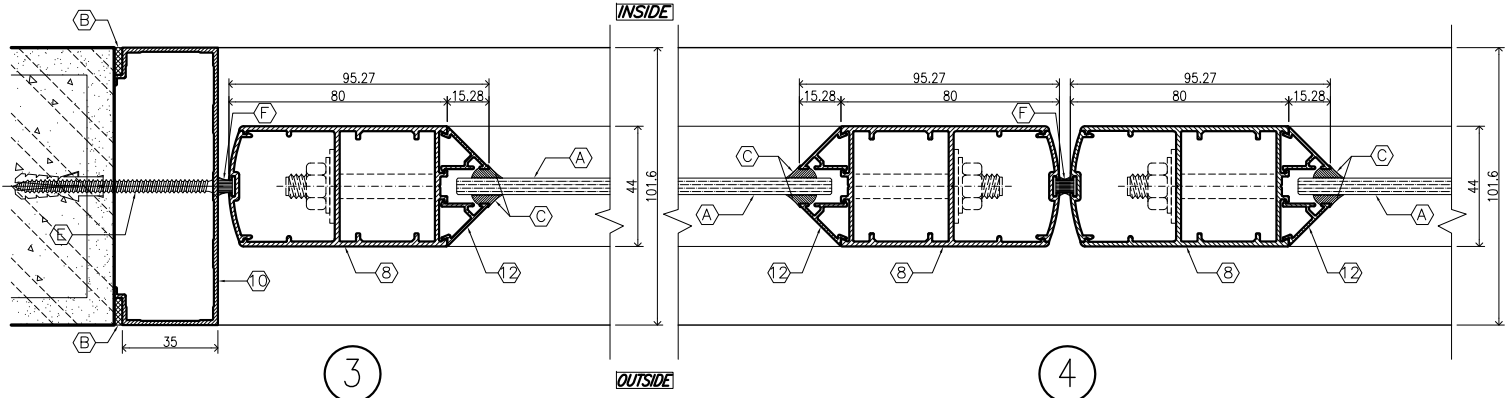
PROJECT : STANDARD PROJECT	OWNER :	ALUMINIUM CONTRACTOR : ORM <small>235 Macao 7, Kingpin Building, District 20150 Tel : 033 983381 Fax : 033-983385 www.orm2558@ormal.com</small>	DRAWING TITLE DOOR & WINDOW TYPICAL STANDARD DETAIL	<table border="1"> <thead> <tr> <th colspan="3">REVISION</th> </tr> <tr> <th>NO.</th> <th>DATE</th> <th>DESCRIPTION</th> </tr> </thead> <tbody> <tr><td> </td><td> </td><td> </td></tr> <tr><td> </td><td> </td><td> </td></tr> <tr><td> </td><td> </td><td> </td></tr> </tbody> </table>	REVISION			NO.	DATE	DESCRIPTION										DATE : DESIGN & DWN : MANIT SRISANGSUNG CHKD. BY : SCALE : 1 : (A3)	APPROVED BY : DRAWING NO. SW-01A
REVISION																					
NO.	DATE	DESCRIPTION																			
LOCATION :	LOCATION :																				

SYMBOL	AUMINIUM EXTRUDED SECTION ALLOY 6063-T5
①	HEAD SECTION
②	TRANSOM SECTION
③	TOPRAIL SECTION
④	BOTTOMRAIL SECTION
⑤	SILL SECTION
⑥	LOCKER STILE SECTION
⑦	INTER LOCKER STILE SECTION
⑧	STILE SECTION
⑨	MULLION SECTION
⑩	JAMB SECTION
⑪	SASH SECTION
⑫	BEAD SECTION

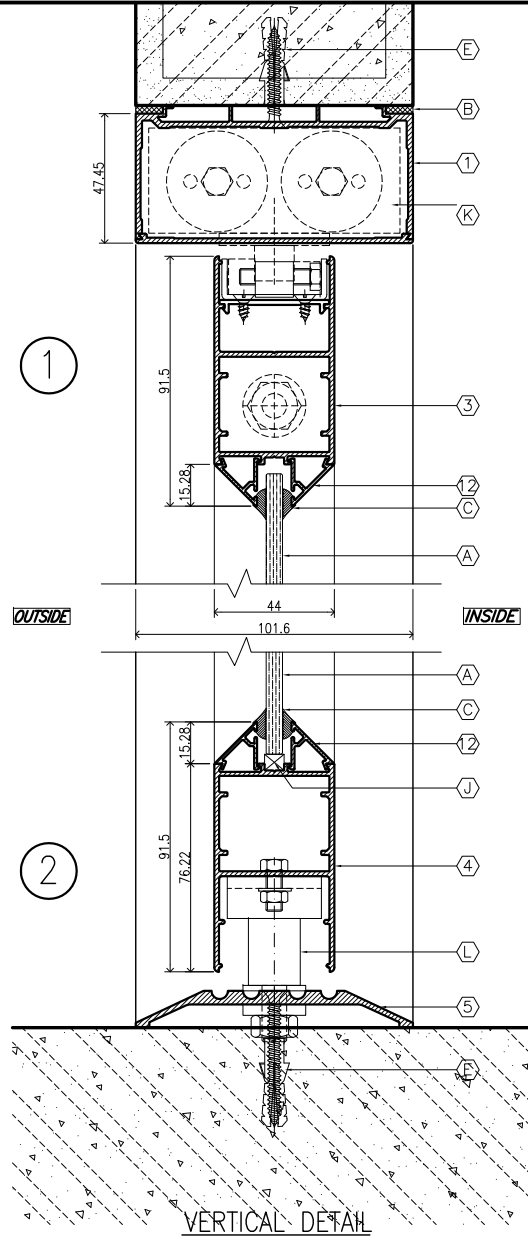
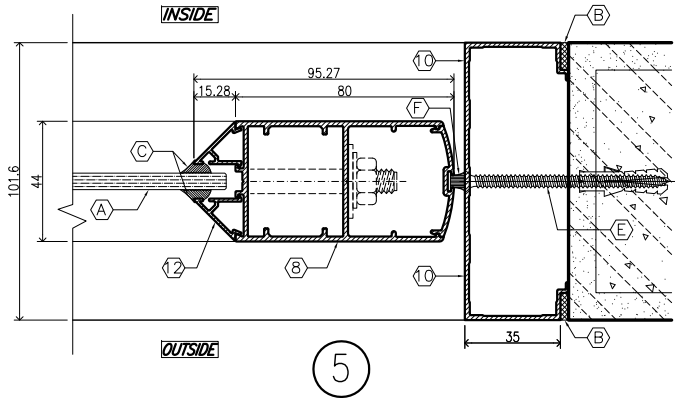
SYMBOL	ACCESSORIES DOOR & WINDOW
(A)	GLASS PANELS
(B)	SILICONE SEALANT
(C)	GLAZING GASKET
(D)	BUBBLE GASKET
(E)	SCREW & NYLON PLUG
(F)	WOOL PILE
(G)	ROLLER SLIDING
(H)	HANDLE LOCK
(I)	CAM LOCK
(J)	SETTING BLOCK
(K)	DOOR CLOSER
(L)	DOOR PIVOT



TYPICAL SWING DOOR ELEVATION



HORIZONTAL DETAIL

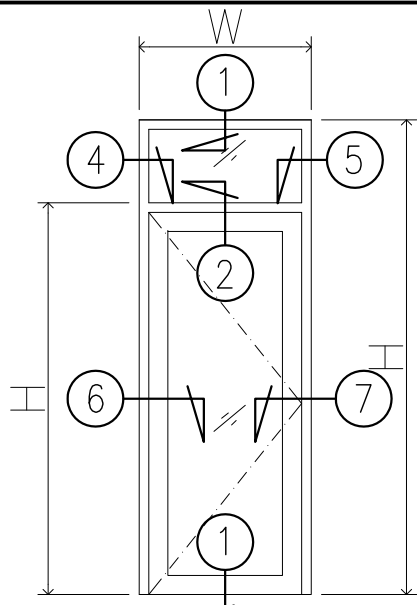


VERTICAL DETAIL

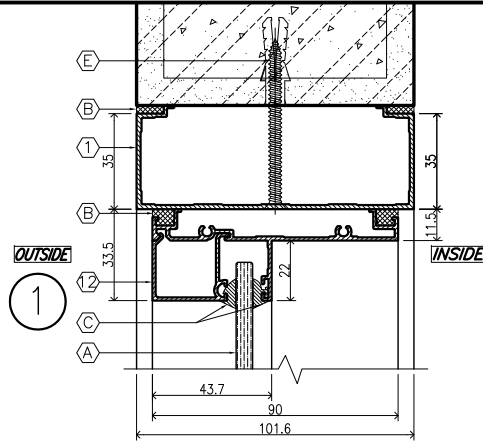
PROJECT : STANDARD PROJECT	OWNER :	ALUMINIUM CONTRACTOR : ORM <small>235 Mac27, Singapore Singapore October 2010 Tel : 033 983381 Fax : 033 983385 www.orm255@al.com</small>	DRAWING TITLE DOOR & WINDOW TYPICAL STANDARD DETAIL	<table border="1"> <thead> <tr> <th colspan="2">REVISION</th> <th>DATE :</th> <th>APPROVED BY</th> </tr> <tr> <th>NO.</th> <th>DATE</th> <th>DESCRIPTION</th> <th>APPROVED</th> </tr> </thead> <tbody> <tr><td> </td><td> </td><td> </td><td> </td></tr> <tr><td> </td><td> </td><td> </td><td> </td></tr> </tbody> </table>	REVISION		DATE :	APPROVED BY	NO.	DATE	DESCRIPTION	APPROVED									<table border="1"> <tr> <td>DESIGN & DWN : MANIT SRISANGSUNG TEL. 41193</td> <td rowspan="2">DRAWING NO. SW-02A</td> </tr> <tr> <td>CHKD. BY :</td> </tr> <tr> <td>SCALE : 1 : (A3)</td> <td> </td> </tr> </table>	DESIGN & DWN : MANIT SRISANGSUNG TEL. 41193	DRAWING NO. SW-02A	CHKD. BY :	SCALE : 1 : (A3)	
REVISION		DATE :	APPROVED BY																							
NO.	DATE	DESCRIPTION	APPROVED																							
DESIGN & DWN : MANIT SRISANGSUNG TEL. 41193	DRAWING NO. SW-02A																									
CHKD. BY :																										
SCALE : 1 : (A3)																										
LOCATION :	LOCATION :																									

SYMBOL	AUMINIUM EXTRUDED SECTION ALLOY 6063-T5
①	HEAD SECTION
②	TRANSOM SECTION
③	TOPRAIL SECTION
④	BOTTOMRAIL SECTION
⑤	SILL SECTION
⑥	LOCKER STILE SECTION
⑦	INTER LOCKER STILE SECTION
⑧	STILE SECTION
⑨	MULLION SECTION
⑩	JAMB SECTION
⑪	SASH SECTION
⑫	BEAD SECTION

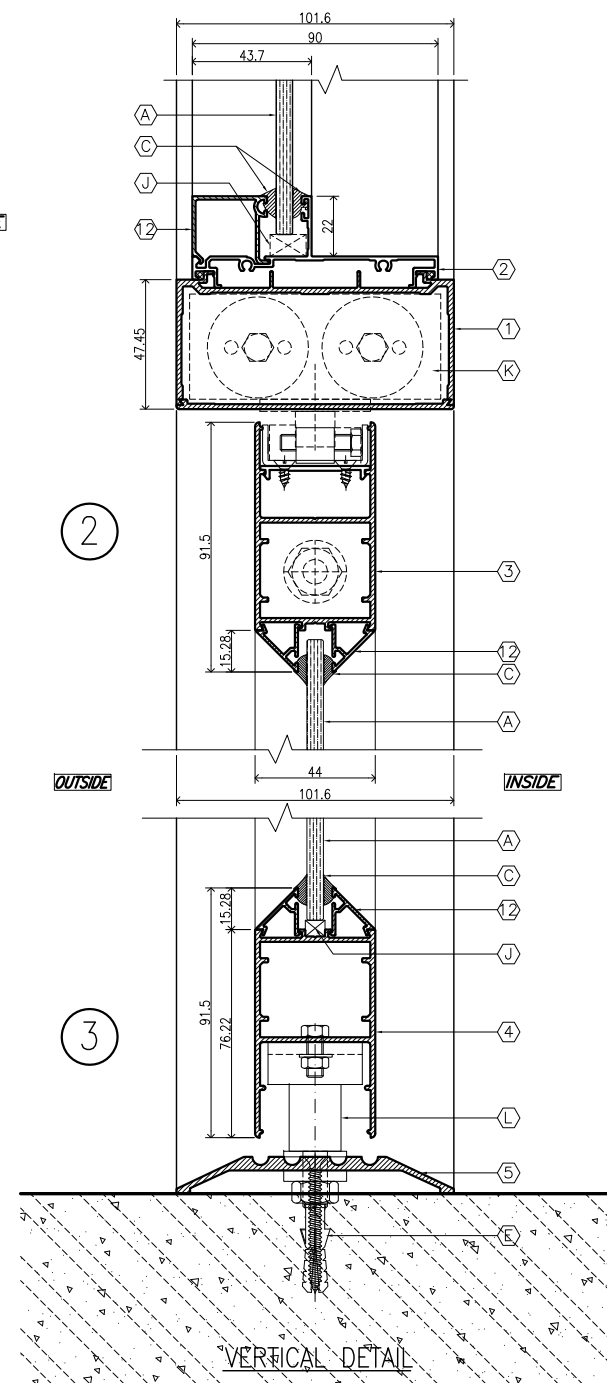
SYMBOL	ACCESSORIES DOOR & WINDOW
(A)	GLASS PANELS
(B)	SILICONE SEALANT
(C)	GLAZING GASKET
(D)	BUBBLE GASKET
(E)	SCREW & NYLON PLUG
(F)	WOOL PILE
(G)	ROLLER SLIDING
(H)	HANDLE LOCK
(I)	CAM LOCK
(J)	SETTING BLOCK
(K)	DOOR CLOSER
(L)	DOOR PIVOT



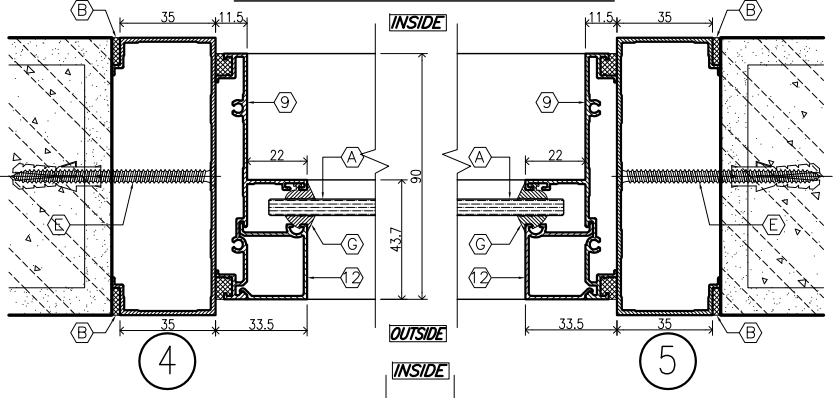
TYPICAL SWING DOOR ELEVATION



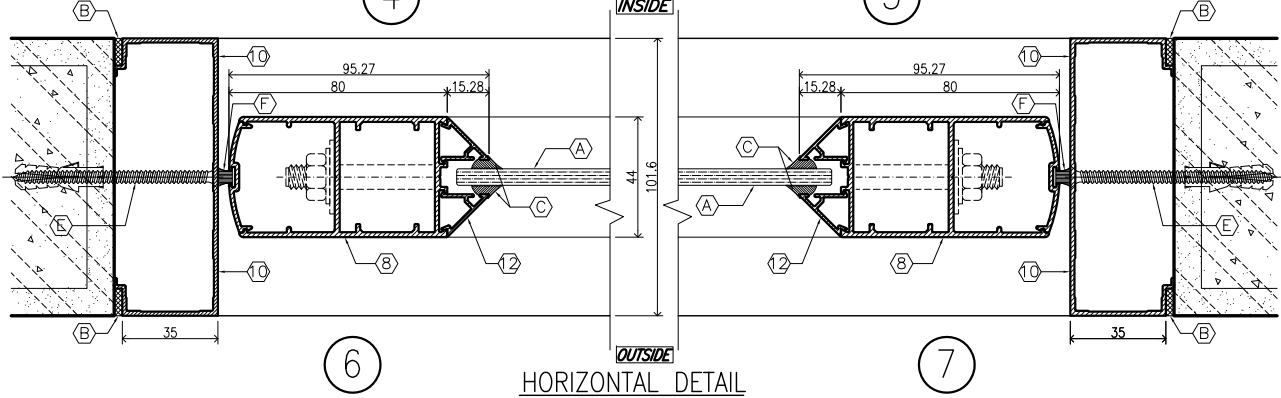
VERTICAL DETAIL



VERTICAL DETAIL



HORIZONTAL DETAIL



PROJECT : STANDARD PROJECT	OWNER :	ALUMINIUM CONTRACTOR : ORM <small>235 Macao? Hongkong Bergabung October 2010 Tel: 033 98338 Fax: 033-98335 www.orm255@al.com</small>	DRAWING TITLE DOOR & WINDOW TYPICAL STANDARD DETAIL	DATE :	APPROVED BY
LOCATION :	LOCATION :			REVISION	DESIGN & DWN : MANIT SRISANGSUNG TEL: 4193
				NO. DATE DESCRIPTION APPROVED	CHKD. BY :
					DRAWING NO. SW-03A
					SCALE : 1 : (A3)

