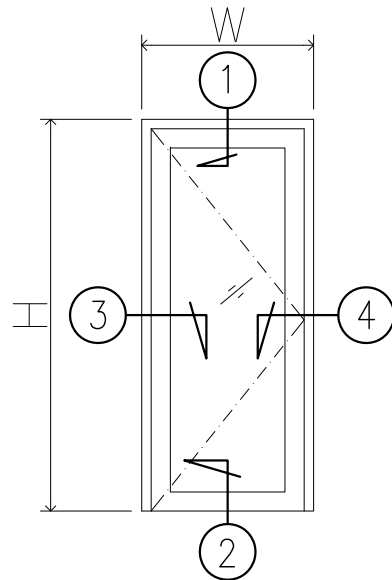
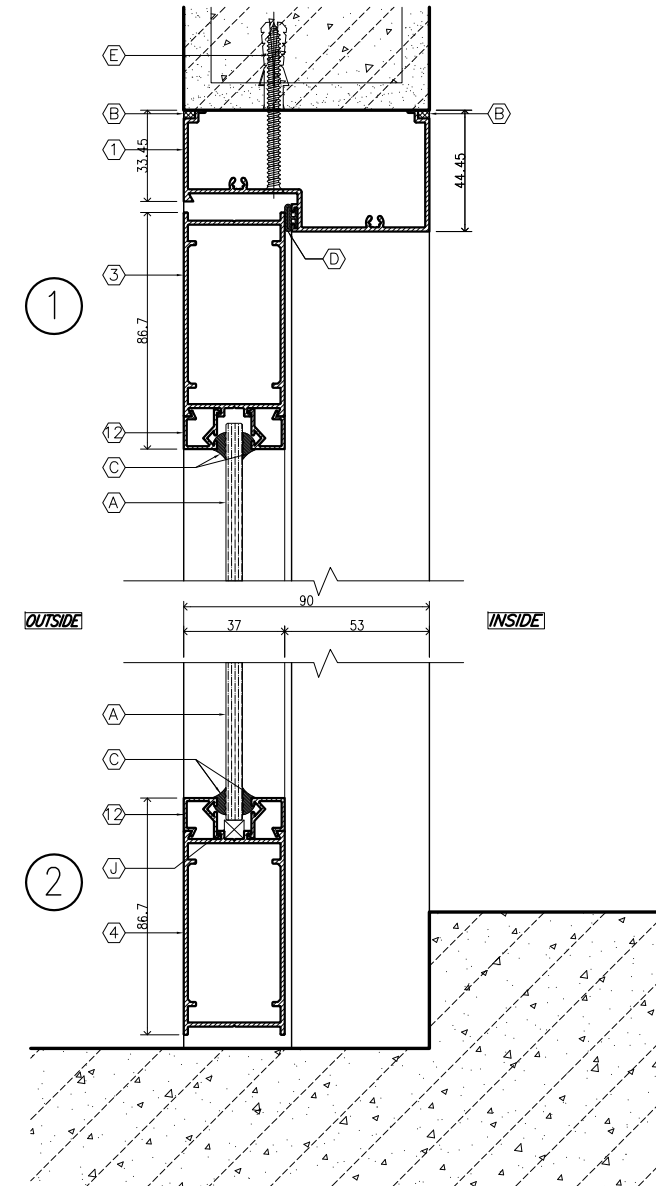


SYMBOL	AUMINIUM EXTRUDED SECTION ALLOY 6063-T5
①	HEAD SECTION
②	TRANSOM SECTION
③	TOPRAIL SECTION
④	BOTTOMRAIL SECTION
⑤	SILL SECTION
⑥	LOCKER STILE SECTION
⑦	INTER LOCKER STILE SECTION
⑧	STILE SECTION
⑨	MULLION SECTION
⑩	JAMB SECTION
⑪	SASH SECTION
⑫	BEAD SECTION

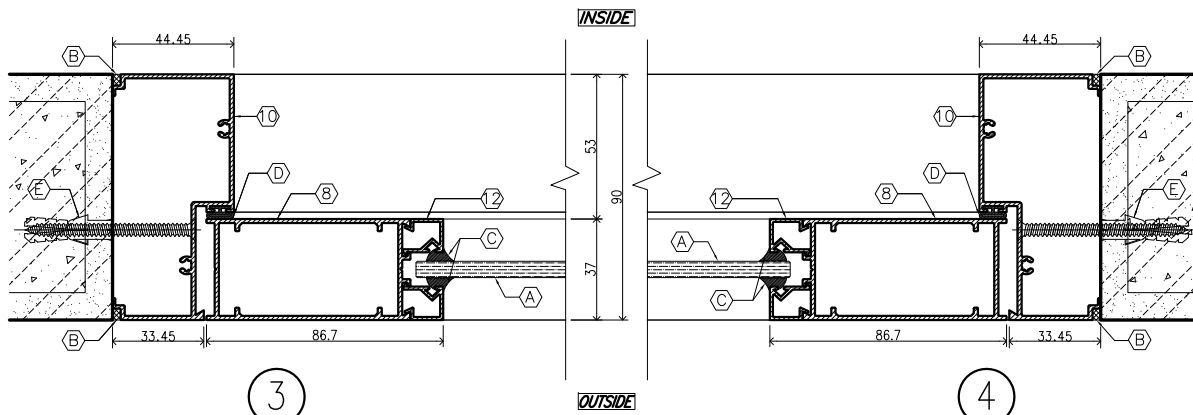
SYMBOL	ACCESSORIES DOOR & WINDOW
(A)	GLASS PANELS
(B)	SILICONE SEALANT
(C)	GLAZING GASKET
(D)	BUBBLE GASKET
(E)	SCREW & NYLON PLUG
(F)	WOOL PILE
(G)	ROLLER SLIDING
(H)	HANDLE LOCK
(I)	CAM LOCK
(J)	SETTING BLOCK
(K)	DOOR CLOSER
(L)	DOOR PIVOT



TYPICAL SWING DOOR ELEVATION



VERTICAL DETAIL



HORIZONTAL DETAIL

PROJECT :
STANDARD PROJECT

OWNER :

LOCATION :

LOCATION :

ALUMINIUM CONTRACTOR :



235 Macao 7, Kingpin Building, District 2010
Tel : 033 993391 Fax : 033-993385
www.orm2556@fnet.com

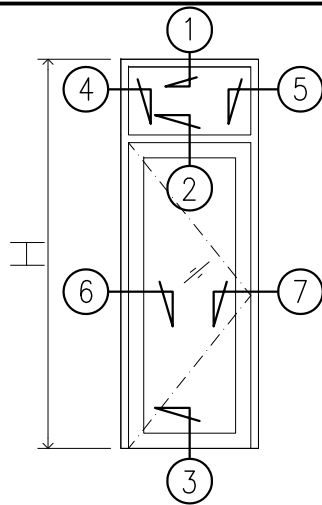
DRAWING TITLE

**DOOR & WINDOW
TYPICAL STANDARD DETAIL**

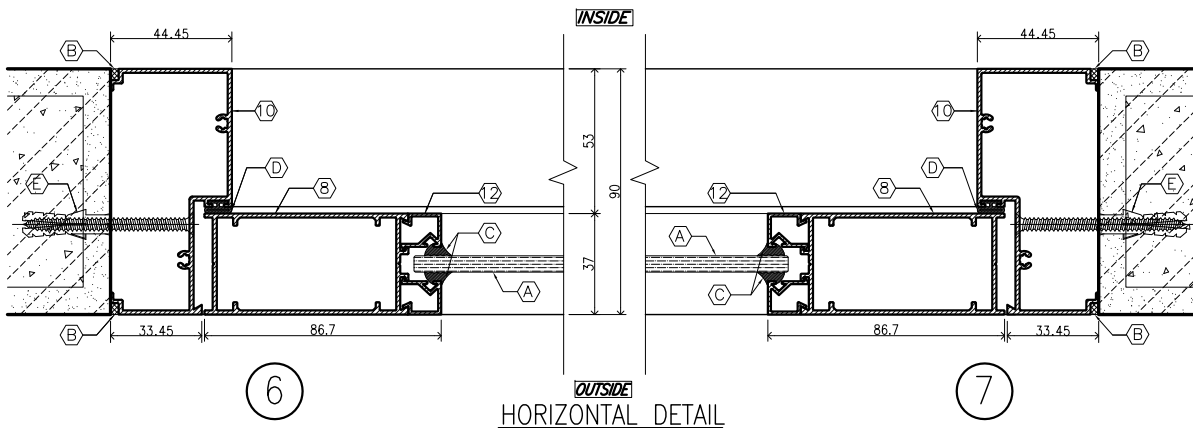
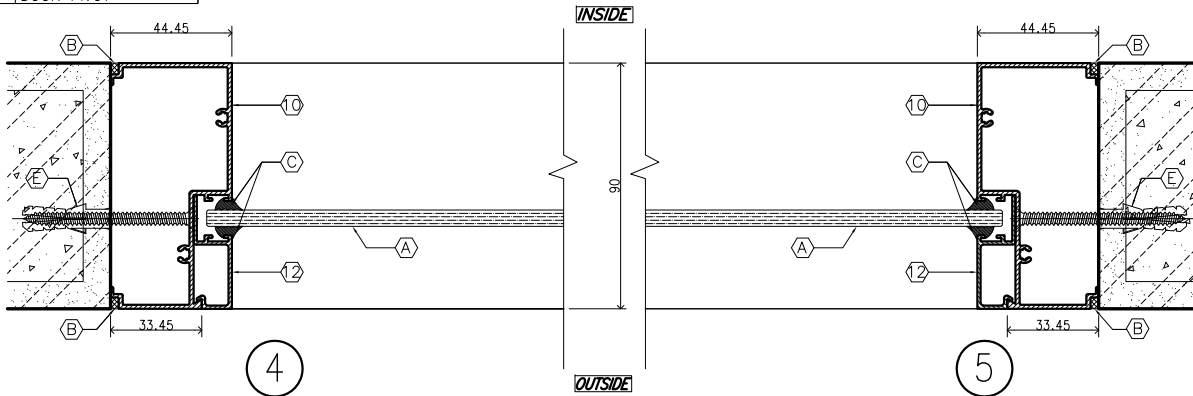
REVISION				DATE :	APPROVED BY
NO.	DATE	DESCRIPTION	APPROVED	DESIGN & DWN : MANIT SRISANGSUNG TEL: 4193	DRAWING NO. DO-1
				CHKD. BY :	
				SCALE : 1 : (A3)	

SYMBOL	AUMINIUM EXTRUDED SECTION ALLOY 6063-T5
①	HEAD SECTION
②	TRANSOM SECTION
③	TOPRAIL SECTION
④	BOTTOMRAIL SECTION
⑤	SILL SECTION
⑥	LOCKER STILE SECTION
⑦	INTER LOCKER STILE SECTION
⑧	STILE SECTION
⑨	MULLION SECTION
⑩	JAMB SECTION
⑪	SASH SECTION
⑫	BEAD SECTION

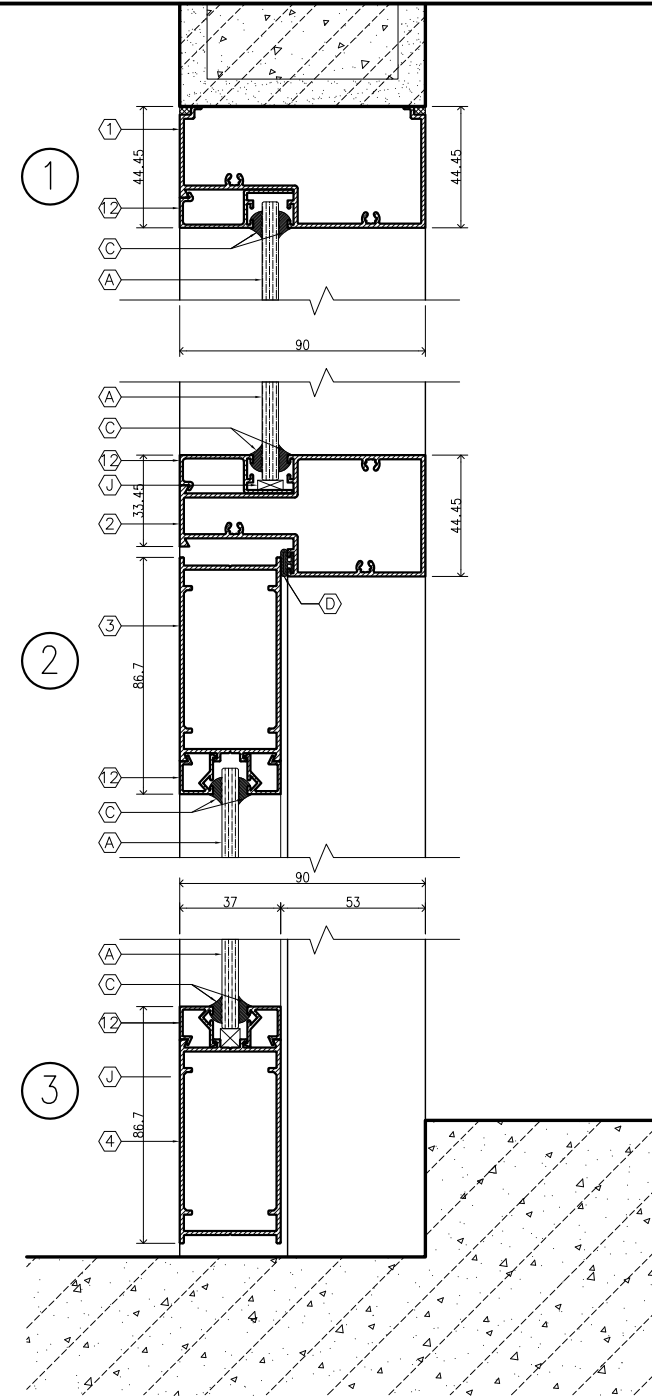
SYMBOL	ACCESSORIES DOOR & WINDOW
(A)	GLASS PANELS
(B)	SILICONE SEALANT
(C)	GLAZING GASKET
(D)	BUBBLE GASKET
(E)	SCREW & NYLON PLUG
(F)	WOOL PILE
(G)	ROLLER SLIDING
(H)	HANDLE LOCK
(I)	CAM LOCK
(J)	SETTING BLOCK
(K)	DOOR CLOSER
(L)	DOOR PIVOT



TYPICAL SWING DOOR & FIXED ELEVATION




HORIZONTAL DETAIL



PROJECT :
STANDARD PROJECT

OWNER :
LOCATION :

ALUMINIUM CONTRACTOR :



235 Macao 7, Kingpin Building, October 2010
Tel : 033 983381 Fax : 033-983385
www.orm2568@inet.com

DRAWING TITLE
**DOOR & WINDOW
TYPICAL STANDARD DETAIL**

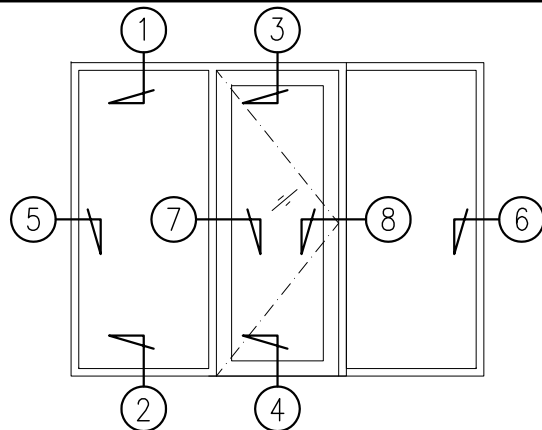
NO.		DATE	DESCRIPTION	APPROVED

REVISION
DATE :
DESIGN & DWN : MANIT SRISANGSUNG
CHKD. BY :
SCALE : 1 : (A3)

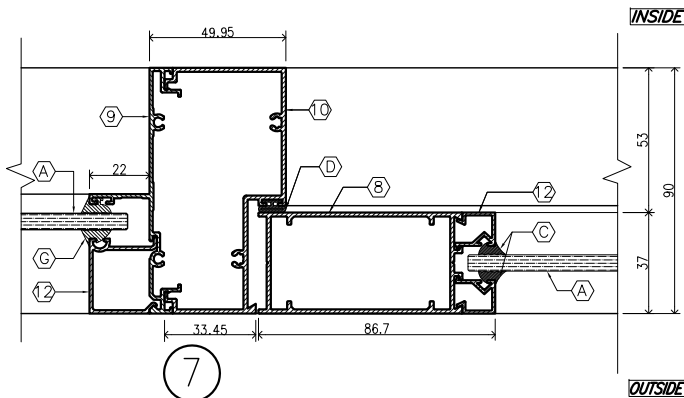
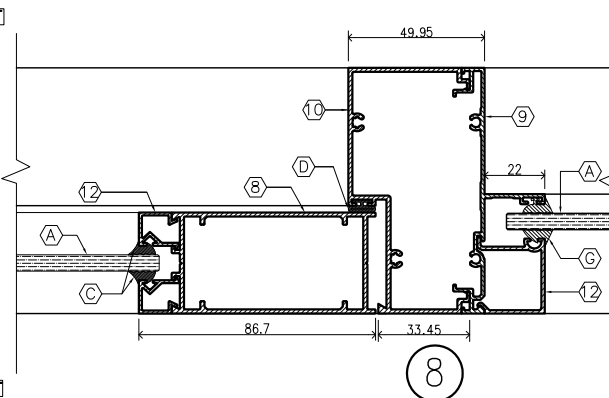
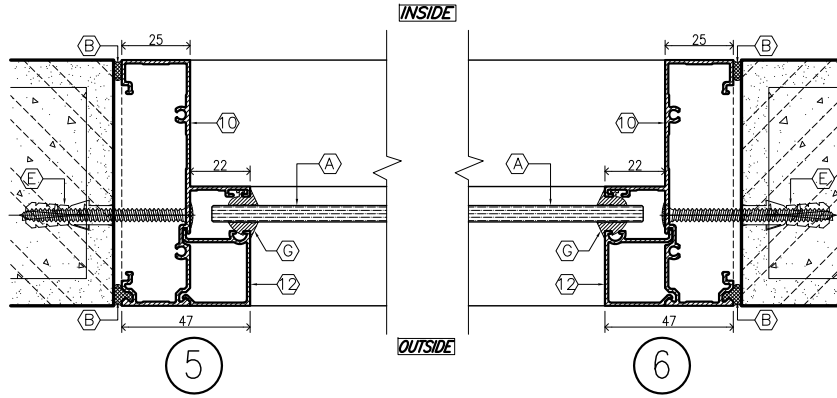
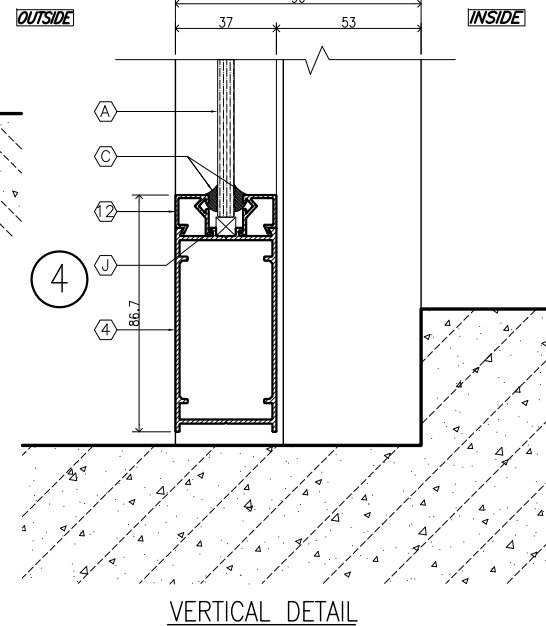
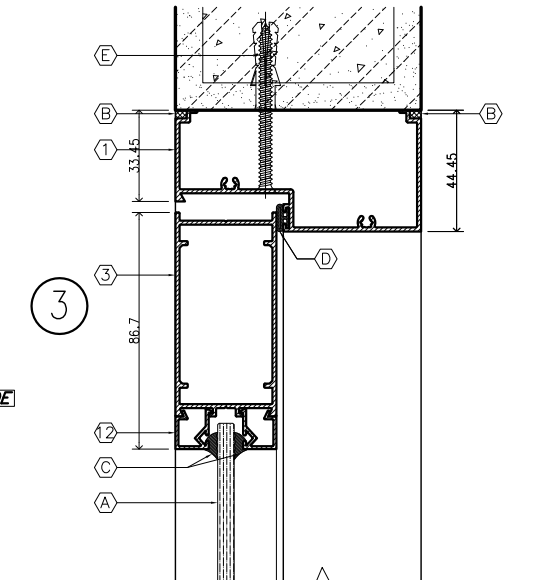
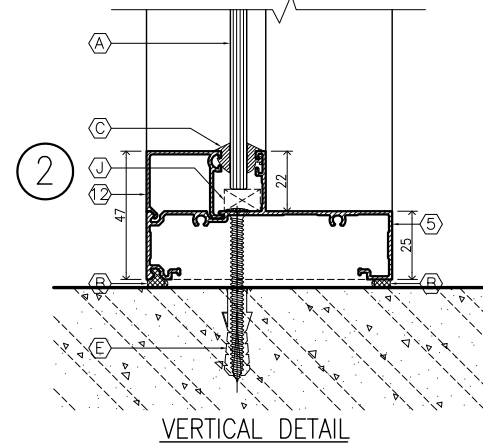
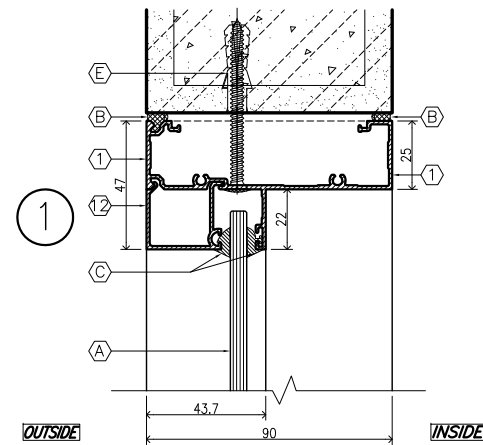
APPROVED BY
DRAWING NO.
DO-2

SYMBOL	ALUMINIUM EXTRUDED SECTION ALLOY 6063-T5
①	HEAD SECTION
②	TRANSOM SECTION
③	TOPRAIL SECTION
④	BOTTOMRAIL SECTION
⑤	SILL SECTION
⑥	LOCKER STILE SECTION
⑦	INTER LOCKER STILE SECTION
⑧	STILE SECTION
⑨	MULLION SECTION
⑩	JAMB SECTION
⑪	SASH SECTION
⑫	BEAD SECTION

SYMBOL	ACCESSORIES DOOR & WINDOW
(A)	GLASS PANELS
(B)	SILICONE SEALANT
(C)	GLAZING GASKET
(D)	BUBBLE GASKET
(E)	SCREW & NYLON PLUG
(F)	WOOL PILE
(G)	ROLLER SLIDING
(H)	HANDLE LOCK
(I)	CAM LOCK
(J)	SETTING BLOCK
(K)	DOOR CLOSER
(L)	DOOR PIVOT



TYPICAL SWING DOOR & FIXED ELEVATION



HORIZONTAL DETAIL



PROJECT : STANDARD PROJECT
OWNER :
LOCATION :

ALUMINIUM CONTRACTOR :
ORM
235 Macao, Kingpin Building, October 2010
Tel: 033 983381 Fax: 033-983385
www.orm2558@inet.com

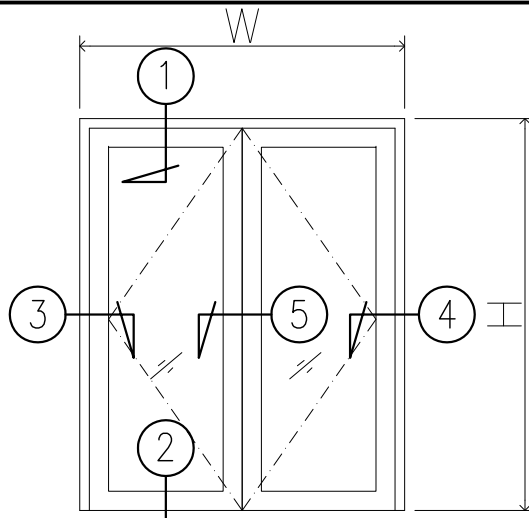
DRAWING TITLE
DOOR & WINDOW
TYPICAL STANDARD DETAIL

REVISION		
NO.	DATE	DESCRIPTION

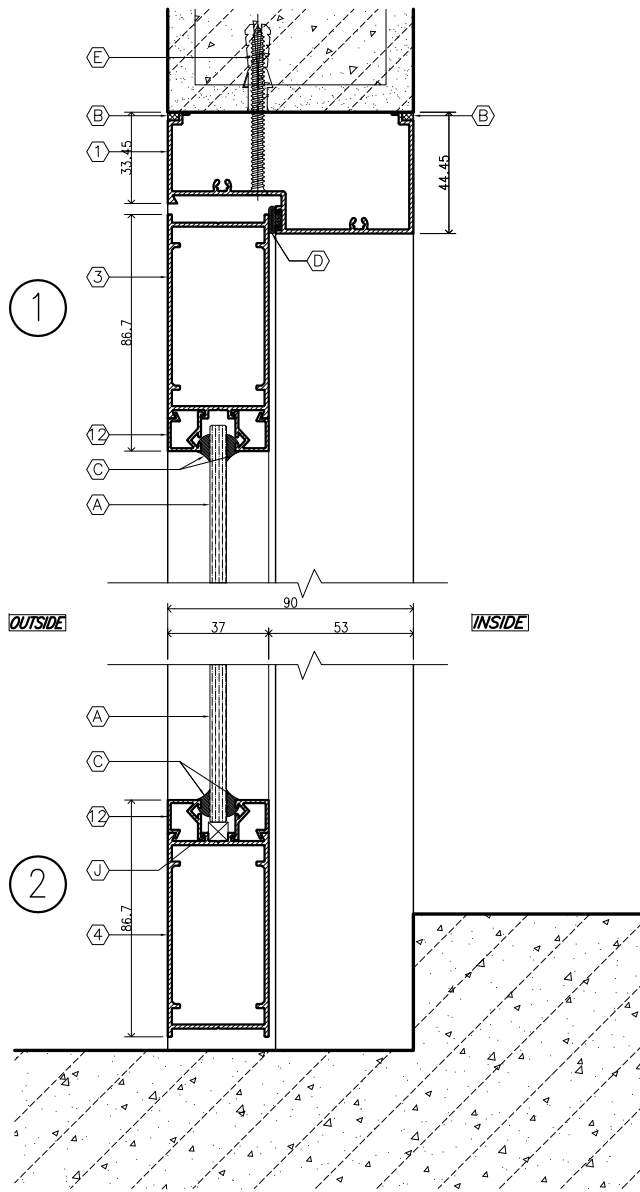
DATE :
DESIGN & DWN : MANIT SRISANGSUNG
CHKD. BY :
SCALE : 1 : (A3)
APPROVED BY :
DRAWING NO. : DO-3

SYMBOL	AUMINIUM EXTRUDED SECTION ALLOY 6063-T5
①	HEAD SECTION
②	TRANSOM SECTION
③	TOPRAIL SECTION
④	BOTTOMRAIL SECTION
⑤	SILL SECTION
⑥	LOCKER STILE SECTION
⑦	INTER LOCKER STILE SECTION
⑧	STILE SECTION
⑨	MULLION SECTION
⑩	JAMB SECTION
⑪	SASH SECTION
⑫	BEAD SECTION

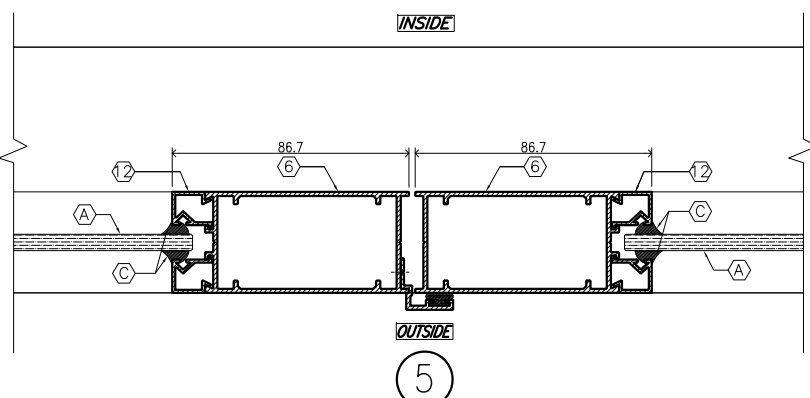
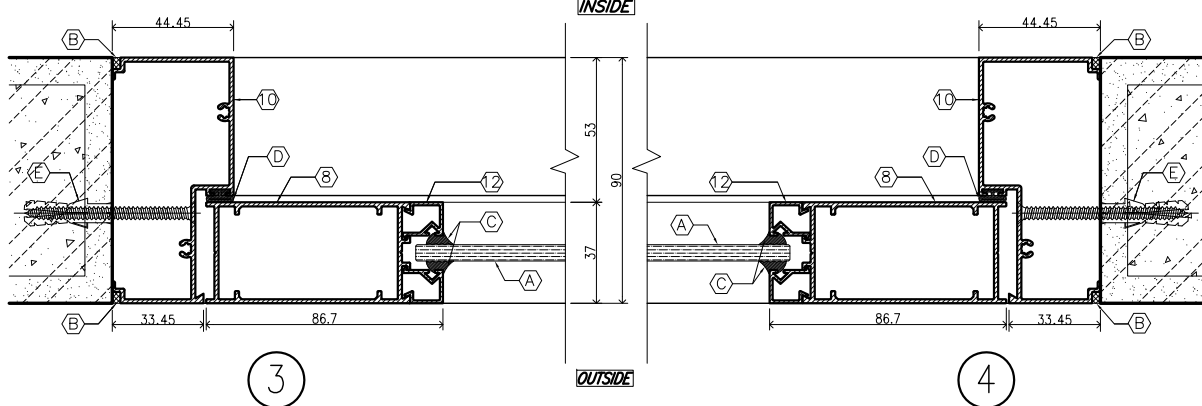
SYMBOL	ACCESSORIES DOOR & WINDOW
(A)	GLASS PANELS
(B)	SILICONE SEALANT
(C)	GLAZING GASKET
(D)	BUBBLE GASKET
(E)	SCREW & NYLON PLUG
(F)	WOOL PILE
(G)	ROLLER SLIDING
(H)	HANDLE LOCK
(I)	CAM LOCK
(J)	SETTING BLOCK
(K)	DOOR CLOSER
(L)	DOOR PIVOT



TYPICAL SWING DOOR ELEVATION



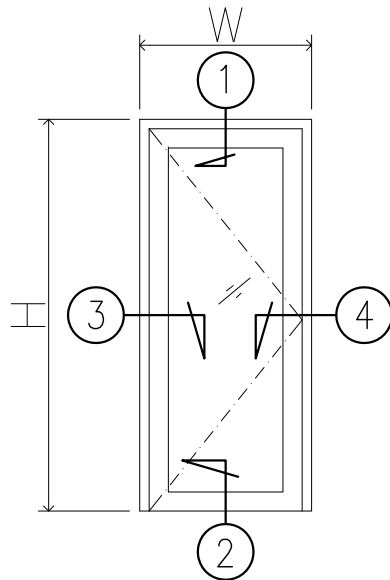
VERTICAL DETAIL



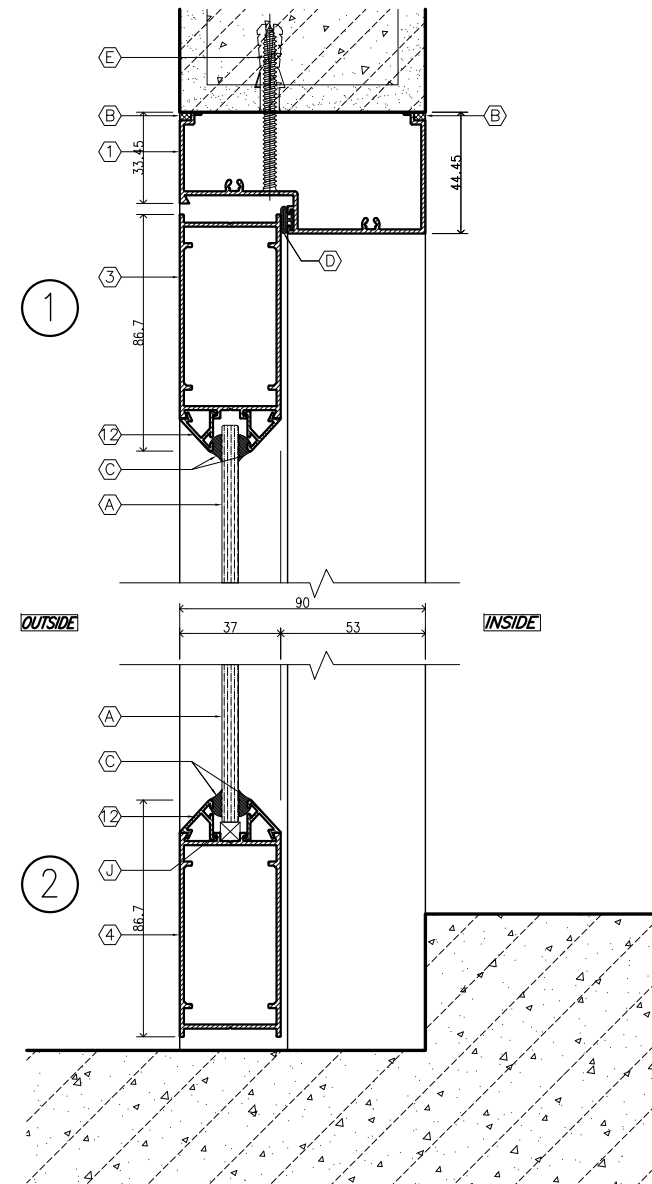
PROJECT : STANDARD PROJECT	OWNER :	ALUMINIUM CONTRACTOR : ORM 235 Macao 7, Klongpinh Senggang Chantol 2010 Tel : 033 983381 Fax : 033-983385 www.orm.com.sg	DRAWING TITLE DOOR & WINDOW TYPICAL STANDARD DETAIL	<table border="1"> <thead> <tr> <th colspan="3">REVISION</th> </tr> <tr> <th>NO.</th> <th>DATE</th> <th>DESCRIPTION</th> </tr> </thead> <tbody> <tr><td> </td><td> </td><td> </td></tr> <tr><td> </td><td> </td><td> </td></tr> <tr><td> </td><td> </td><td> </td></tr> </tbody> </table>	REVISION			NO.	DATE	DESCRIPTION										DATE : DESIGN & DWN : MANIT SRISANGSUNG TEL: 4193 CHKD. BY : SCALE : 1 : (A3)	APPROVED BY : DRAWING NO. DO-4
REVISION																					
NO.	DATE	DESCRIPTION																			
LOCATION :	LOCATION :																				

SYMBOL	AUMINIUM EXTRUDED SECTION ALLOY 6063-T5
①	HEAD SECTION
②	TRANSOM SECTION
③	TOPRAIL SECTION
④	BOTTOMRAIL SECTION
⑤	SILL SECTION
⑥	LOCKER STILE SECTION
⑦	INTER LOCKER STILE SECTION
⑧	STILE SECTION
⑨	MULLION SECTION
⑩	JAMB SECTION
⑪	SASH SECTION
⑫	BEAD SECTION

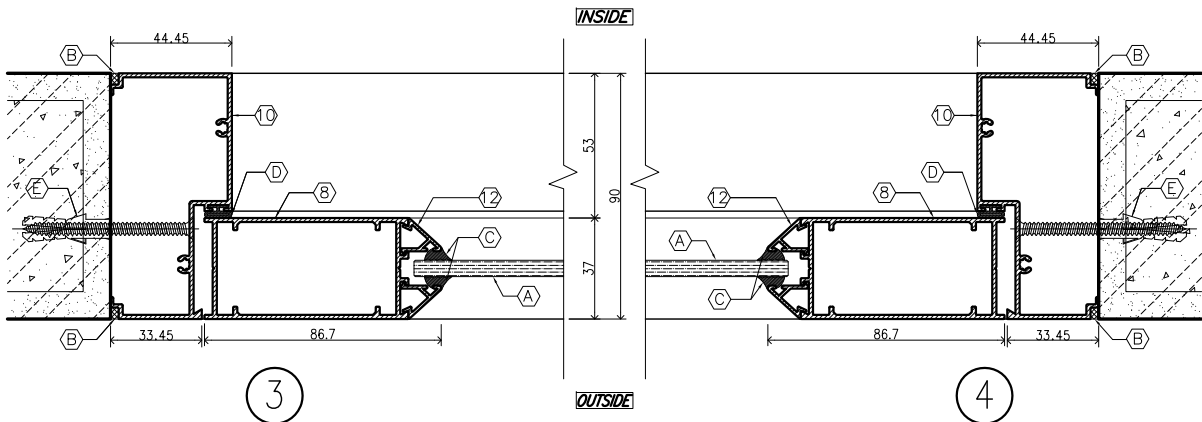
SYMBOL	ACCESSORIES DOOR & WINDOW
(A)	GLASS PANELS
(B)	SILICONE SEALANT
(C)	GLAZING GASKET
(D)	BUBBLE GASKET
(E)	SCREW & NYLON PLUG
(F)	WOOL PILE
(G)	ROLLER SLIDING
(H)	HANDLE LOCK
(I)	CAM LOCK
(J)	SETTING BLOCK
(K)	DOOR CLOSER
(L)	DOOR PIVOT



TYPICAL SWING DOOR ELEVATION



VERTICAL DETAIL

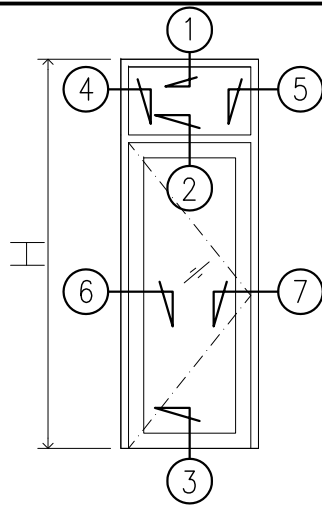


HORIZONTAL DETAIL

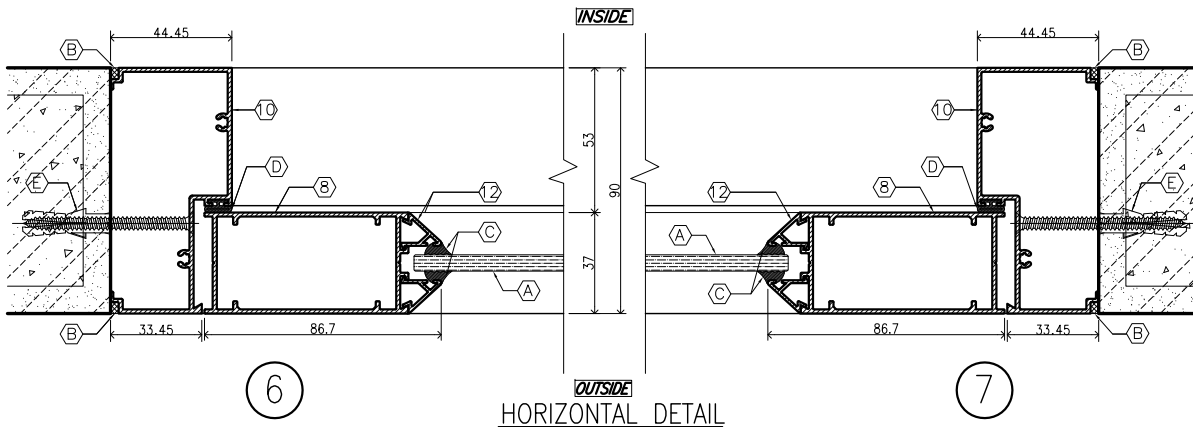
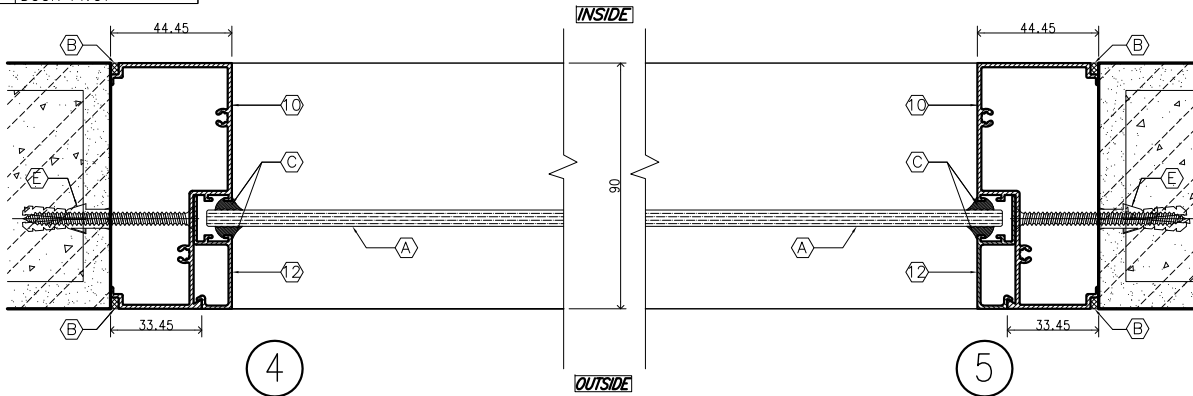
PROJECT : STANDARD PROJECT	OWNER :	ALUMINIUM CONTRACTOR : ORM <small>235 Macao St. Singapore Singapore October 2010 Tel : 033 983381 Fax : 033-983385 www.orm2558@msd.com</small>	DRAWING TITLE DOOR & WINDOW TYPICAL STANDARD DETAIL	REVISION			DATE :	APPROVED BY
				NO.	DATE	DESCRIPTION	APPROVED	DESIGN & DWN : MANIT SRISANGSUNG TEL: 4193
LOCATION :	LOCATION :					CHKD. BY :		
						SCALE : 1 : (A3)		

SYMBOL	AUMINIUM EXTRUDED SECTION ALLOY 6063-T5
①	HEAD SECTION
②	TRANSOM SECTION
③	TOPRAIL SECTION
④	BOTTOMRAIL SECTION
⑤	SILL SECTION
⑥	LOCKER STILE SECTION
⑦	INTER LOCKER STILE SECTION
⑧	STILE SECTION
⑨	MULLION SECTION
⑩	JAMB SECTION
⑪	SASH SECTION
⑫	BEAD SECTION

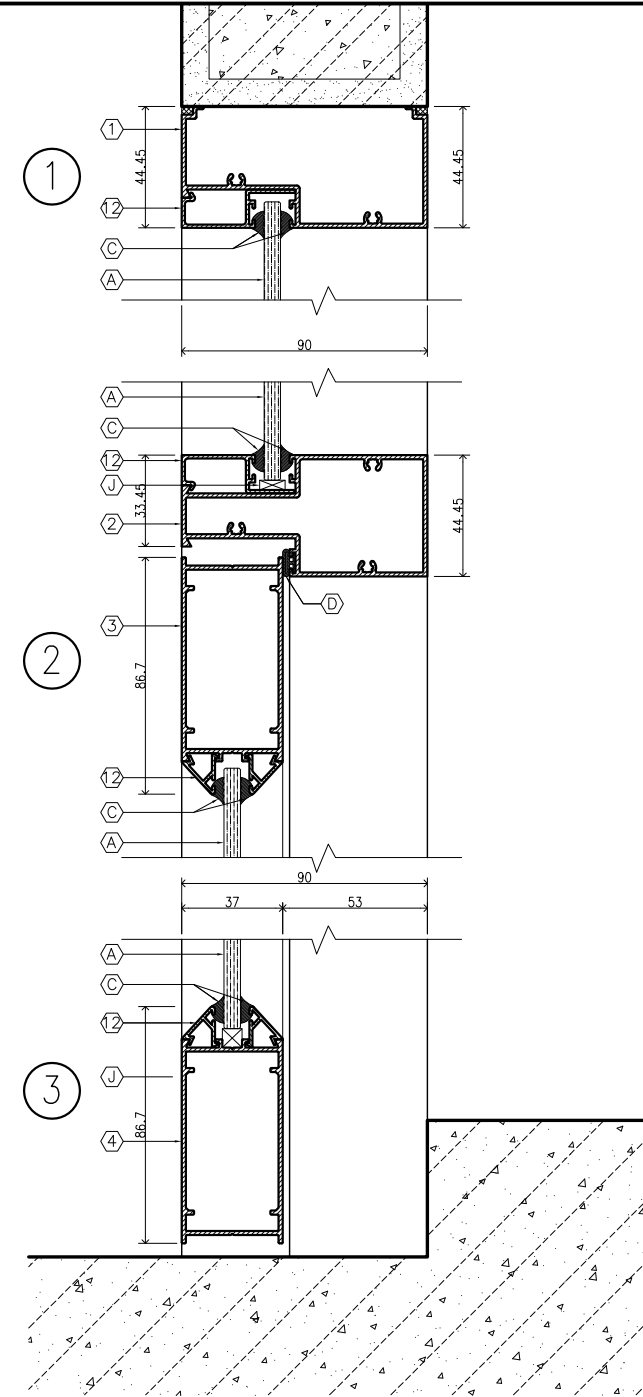
SYMBOL	ACCESSORIES DOOR & WINDOW
(A)	GLASS PANELS
(B)	SILICONE SEALANT
(C)	GLAZING GASKET
(D)	BUBBLE GASKET
(E)	SCREW & NYLON PLUG
(F)	WOOL PILE
(G)	ROLLER SLIDING
(H)	HANDLE LOCK
(I)	CAM LOCK
(J)	SETTING BLOCK
(K)	DOOR CLOSER
(L)	DOOR PIVOT



TYPICAL SWING DOOR & FIXED ELEVATION



HORIZONTAL DETAIL



PROJECT :
STANDARD PROJECT
LOCATION :

OWNER :
LOCATION :

ALUMINIUM CONTRACTOR :



235 Macao St, Singapore
Tel: +65 6338 3381 Fax: +65 6338 3385
www.orm.com.sg

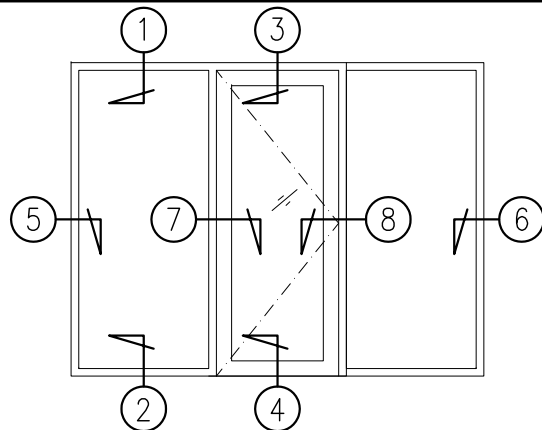
DRAWING TITLE
**DOOR & WINDOW
TYPICAL STANDARD DETAIL**

REVISION		DATE :	APPROVED BY
NO.	DATE	DESCRIPTION	APPROVED

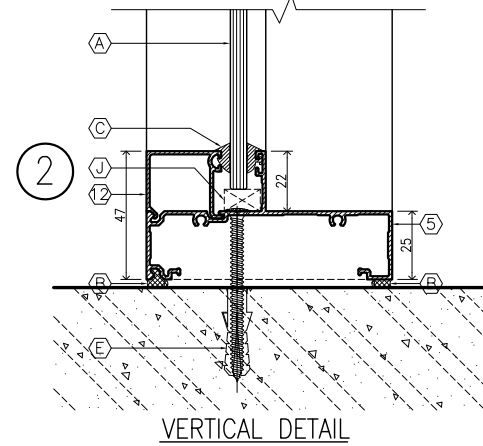
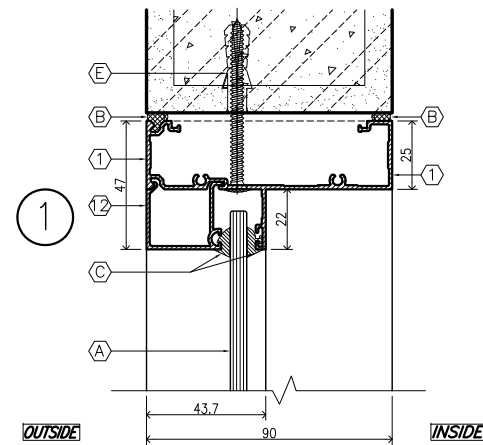
DESIGN & DWN : MANIT SRISANGSUNG
CHKD. BY :
SCALE : 1 : (A3)
DRAWING NO. **DO-2**

SYMBOL	ALUMINIUM EXTRUDED SECTION ALLOY 6063-T5
①	HEAD SECTION
②	TRANSOM SECTION
③	TOPRAIL SECTION
④	BOTTOMRAIL SECTION
⑤	SILL SECTION
⑥	LOCKER STILE SECTION
⑦	INTER LOCKER STILE SECTION
⑧	STILE SECTION
⑨	MULLION SECTION
⑩	JAMB SECTION
⑪	SASH SECTION
⑫	BEAD SECTION

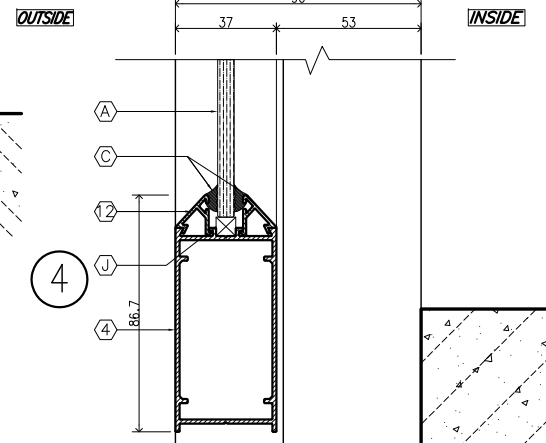
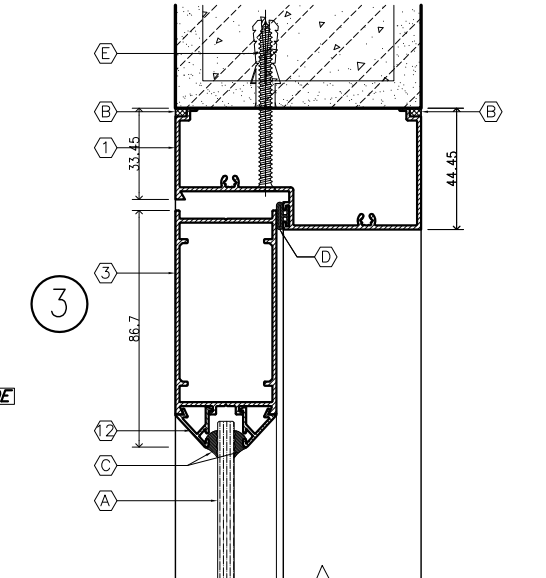
SYMBOL	ACCESSORIES DOOR & WINDOW
(A)	GLASS PANELS
(B)	SILICONE SEALANT
(C)	GLAZING GASKET
(D)	BUBBLE GASKET
(E)	SCREW & NYLON PLUG
(F)	WOOL PILE
(G)	ROLLER SLIDING
(H)	HANDLE LOCK
(I)	CAM LOCK
(J)	SETTING BLOCK
(K)	DOOR CLOSER
(L)	DOOR PIVOT



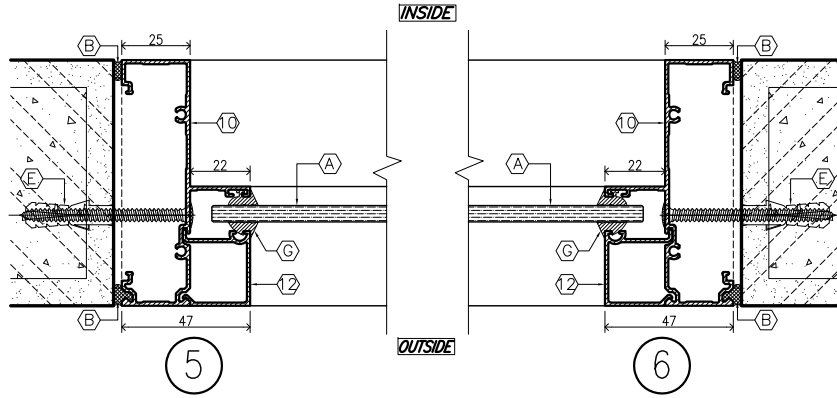
TYPICAL SWING DOOR & FIXED ELEVATION



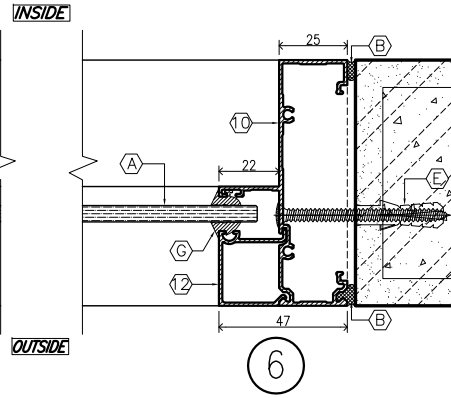
VERTICAL DETAIL



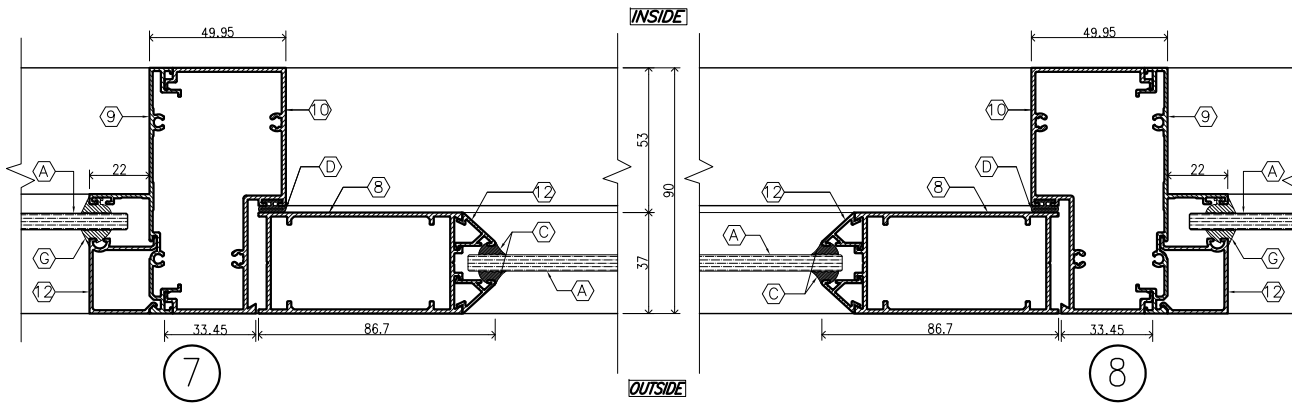
VERTICAL DETAIL



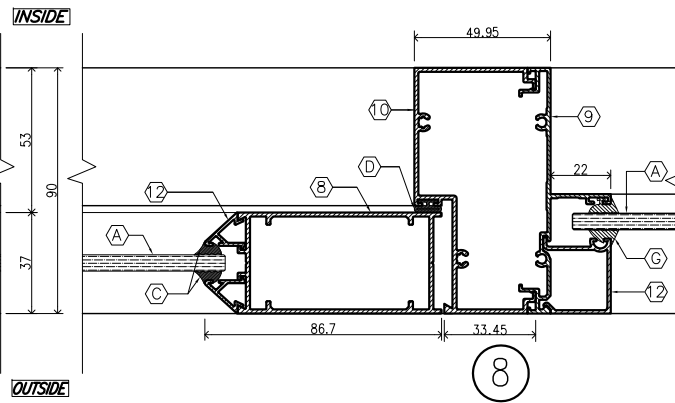
5



6



7



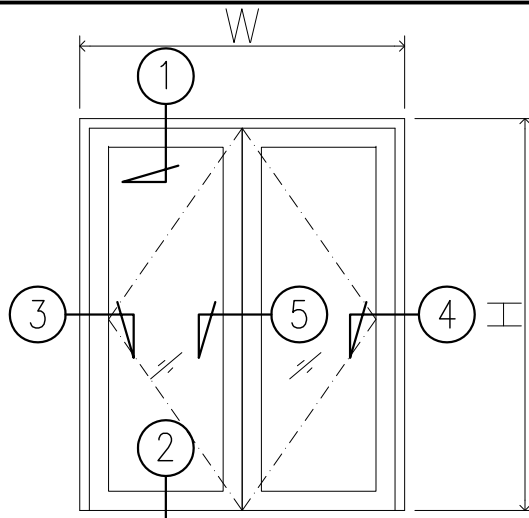
8

HORIZONTAL DETAIL

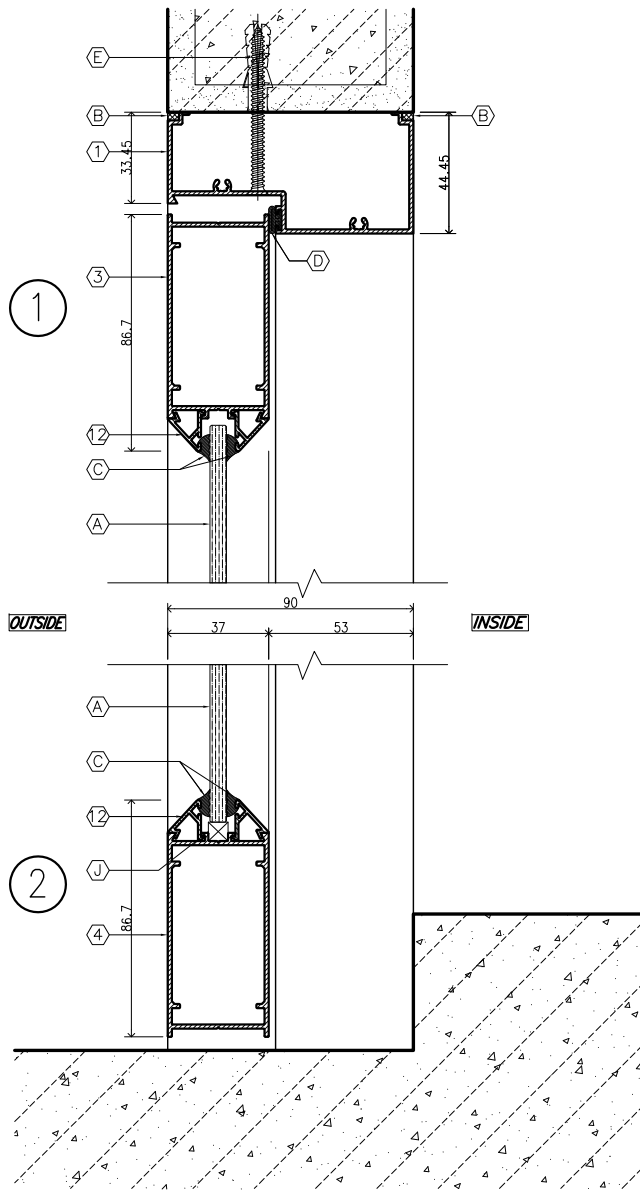
PROJECT : STANDARD PROJECT	OWNER :	ALUMINIUM CONTRACTOR : ORM <small>235 Macao 7, Kingpin Building, October 2010 Tel: 033 983381 Fax: 033-983385 www.orm2558@inet.com</small>	DRAWING TITLE DOOR & WINDOW TYPICAL STANDARD DETAIL	<table border="1"> <thead> <tr> <th colspan="3">REVISION</th> </tr> <tr> <th>NO.</th> <th>DATE</th> <th>DESCRIPTION</th> </tr> </thead> <tbody> <tr><td> </td><td> </td><td> </td></tr> <tr><td> </td><td> </td><td> </td></tr> <tr><td> </td><td> </td><td> </td></tr> </tbody> </table>	REVISION			NO.	DATE	DESCRIPTION										DATE : DESIGN & DWN : MANIT SRISANGSUNG CHKD. BY : SCALE : 1 : (A3)	APPROVED BY : DRAWING NO. DO-3
REVISION																					
NO.	DATE	DESCRIPTION																			
LOCATION :	LOCATION :																				

SYMBOL	AUMINIUM EXTRUDED SECTION ALLOY 6063-T5
①	HEAD SECTION
②	TRANSOM SECTION
③	TOPRAIL SECTION
④	BOTTOMRAIL SECTION
⑤	SILL SECTION
⑥	LOCKER STILE SECTION
⑦	INTER LOCKER STILE SECTION
⑧	STILE SECTION
⑨	MULLION SECTION
⑩	JAMB SECTION
⑪	SASH SECTION
⑫	BEAD SECTION

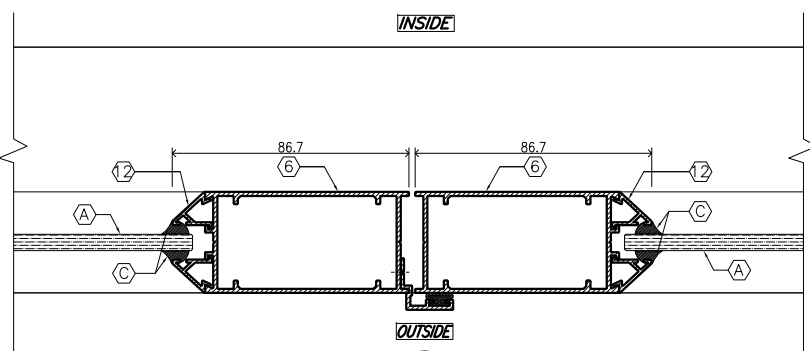
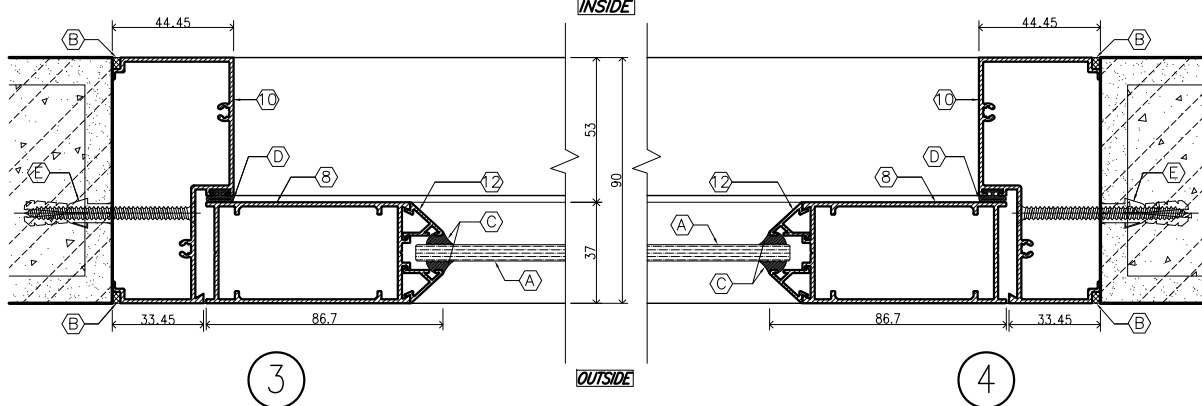
SYMBOL	ACCESSORIES DOOR & WINDOW
(A)	GLASS PANELS
(B)	SILICONE SEALANT
(C)	GLAZING GASKET
(D)	BUBBLE GASKET
(E)	SCREW & NYLON PLUG
(F)	WOOL PILE
(G)	ROLLER SLIDING
(H)	HANDLE LOCK
(I)	CAM LOCK
(J)	SETTING BLOCK
(K)	DOOR CLOSER
(L)	DOOR PIVOT



TYPICAL SWING DOOR ELEVATION



VERTICAL DETAIL



PROJECT : STANDARD PROJECT	OWNER :	ALUMINIUM CONTRACTOR : ORM <small>235 Mac27, Singapore Singapore October 2010 Tel : 033 993308 Fax : 033 993385 www.orm255@msd.com</small>	DRAWING TITLE DOOR & WINDOW TYPICAL STANDARD DETAIL	REVISION			DATE :	APPROVED BY
				NO.	DATE	DESCRIPTION	APPROVED	
LOCATION :	LOCATION :					CHKD. BY :	DRAWING NO.	
						SCALE : 1 : (A3)	DO-4	